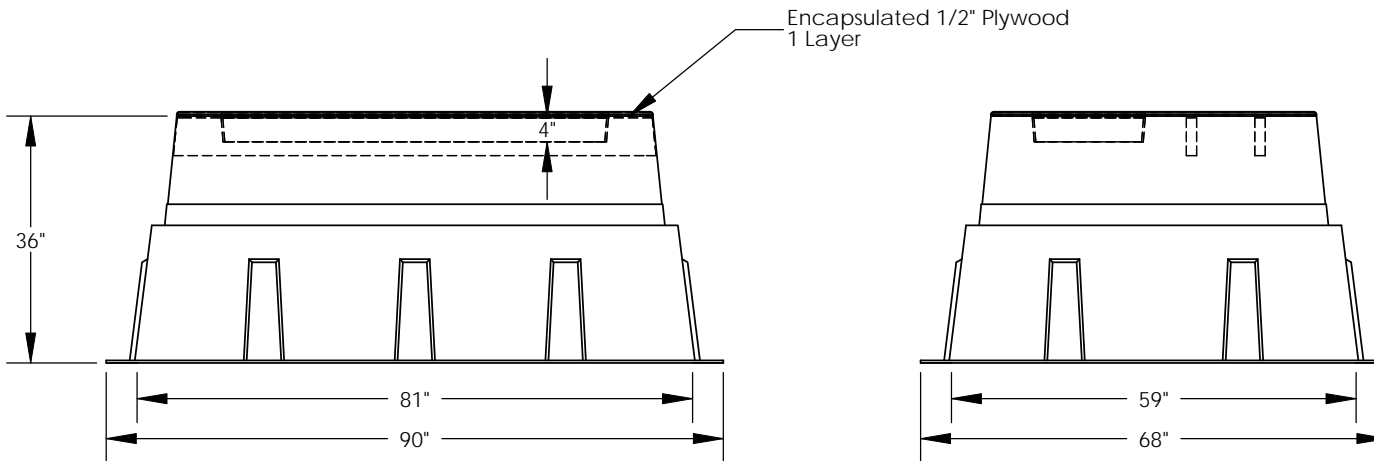
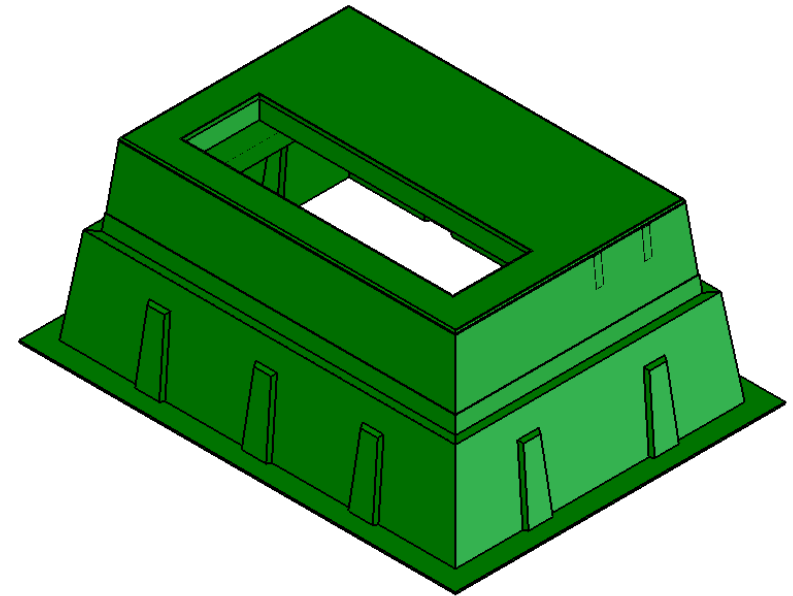
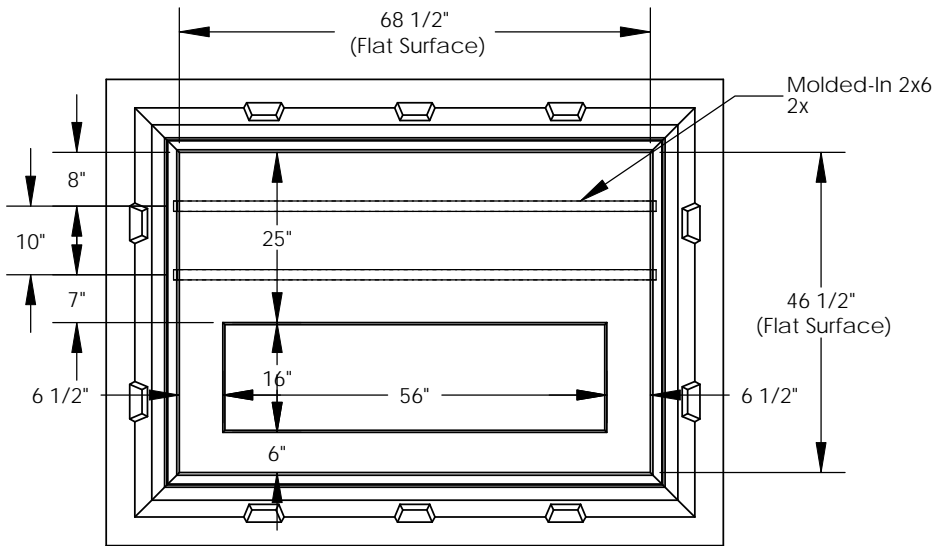


REVISIONS			
REV.	DESCRIPTION	DATE	APPROVED
REL-01		4/4/2007	
REL-02	Changed from 3/4" Plywood and 2x4's	8/22/2007	P.J.W.



Nordic Fiberglass, Inc.

21415 US Hwy 75 NW, Warren, MN 56762
 www.nordicfiberglass.com
 218-745-5095 ph. --- 218-745-4990 fax

GS-69-47-36RT-MG-56x16

PROPRIETARY AND CONFIDENTIAL

THE INFORMATION CONTAINED IN THIS DRAWING IS THE SOLE PROPERTY OF NORDIC FIBERGLASS, INC. ANY REPRODUCTION IN PART OR AS A WHOLE WITHOUT THE WRITTEN PERMISSION OF NORDIC FIBERGLASS, INC. IS PROHIBITED.

Customer Name: N/A

DIMENSIONS ARE IN INCHES
 TOLERANCES: ANGLES $\pm 1^\circ$
 FRACTIONAL $\pm 1/32$
 ONE PLACE DECIMAL $\pm .060$
 TWO PLACE DECIMAL $\pm .030$
 THREE PLACE DECIMAL $\pm .015$

MATERIAL

	NAME	DATE
DRAWN	P.J.W.	04/04/07
CHECKED	---	--/--/--

SIZE	ITEM ID:	REV.
A	01580.00	REL-02
SCALE:1:28		SHEET 1 OF 1