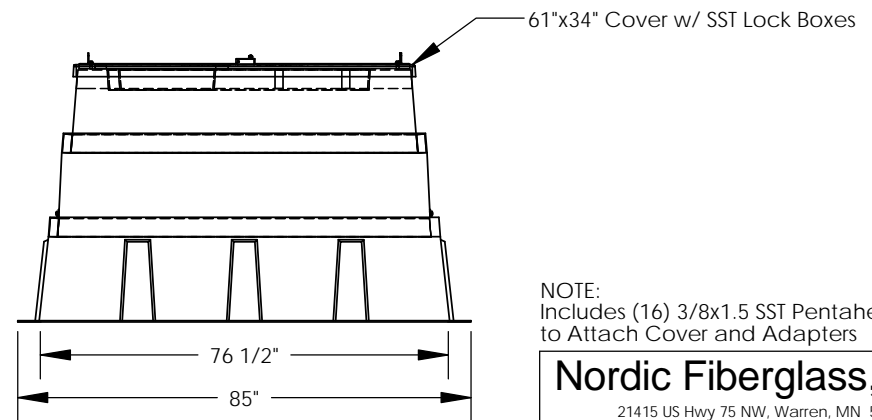
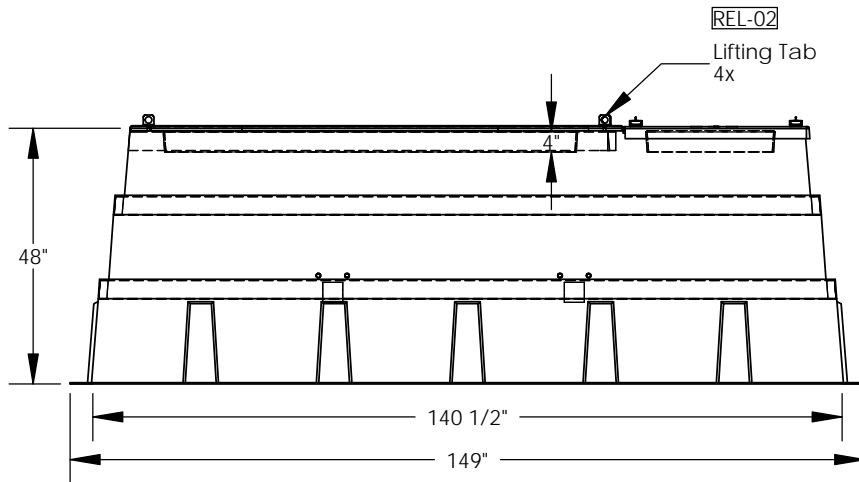
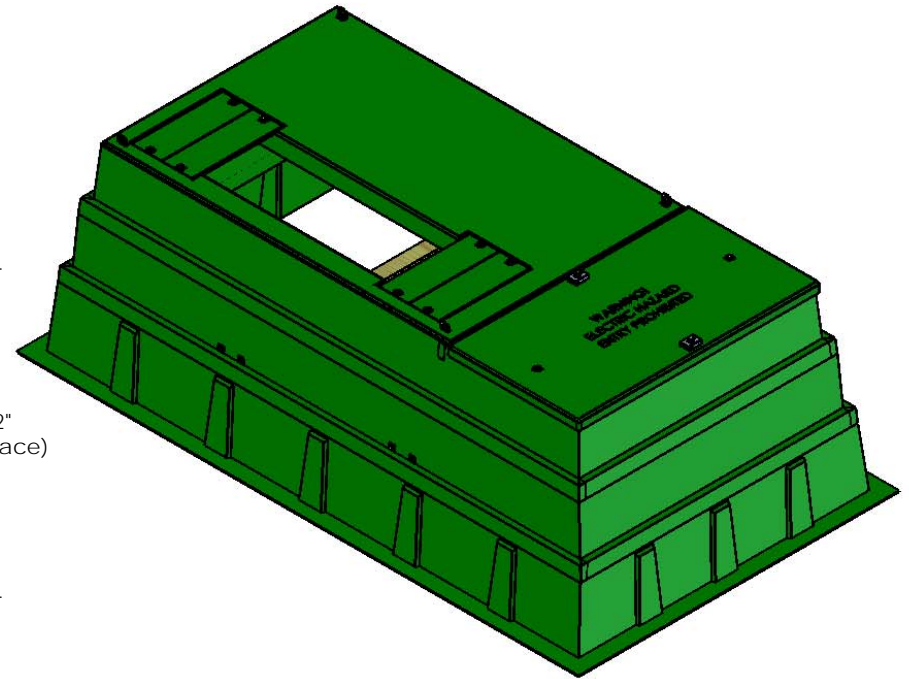
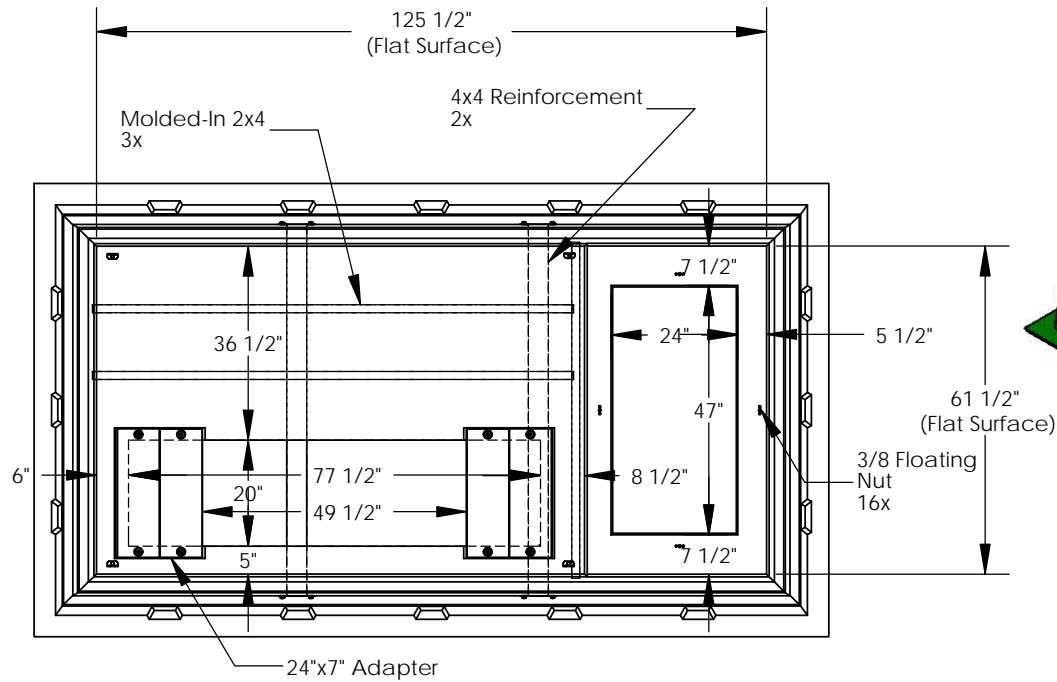


REVISIONS			
REV.	DESCRIPTION	DATE	APPROVED
REL-01		6/18/2007	
REL-02	Updated From ZN Coated EyeBolts	11/22/2011	R.L.J.



NOTE:
Includes (16) 3/8x1.5 SST Pentahead Bolts to Attach Cover and Adapters

Nordic Fiberglass, Inc.

21415 US Hwy 75 NW, Warren, MN 56762
www.nordicfiberglass.com
218-745-5095 ph. --- 218-745-4990 fax

GS-125-61-48R-MG-24x47-77.5x20-GSC

PROPRIETARY AND CONFIDENTIAL
THE INFORMATION CONTAINED IN THIS DRAWING IS THE SOLE PROPERTY OF NORDIC FIBERGLASS, INC. ANY REPRODUCTION IN PART OR AS A WHOLE WITHOUT THE WRITTEN PERMISSION OF NORDIC FIBERGLASS, INC. IS PROHIBITED.

Customer Name: N/A		
DIMENSIONS ARE IN INCHES TOLERANCES: ANGLES ± 1° FRACTIONAL ± 1/2 ONE PLACE DECIMAL ±.060 TWO PLACE DECIMAL ±.030 THREE PLACE DECIMAL ±.015		
MATERIAL		
DRAWN	NAME	DATE
P.J.W.		06/18/07
CHECKED	---	--/--

SIZE	ITEM ID:	REV.
A	01542.00	REL-02
SCALE:1:36	SHEET 1 OF 1	