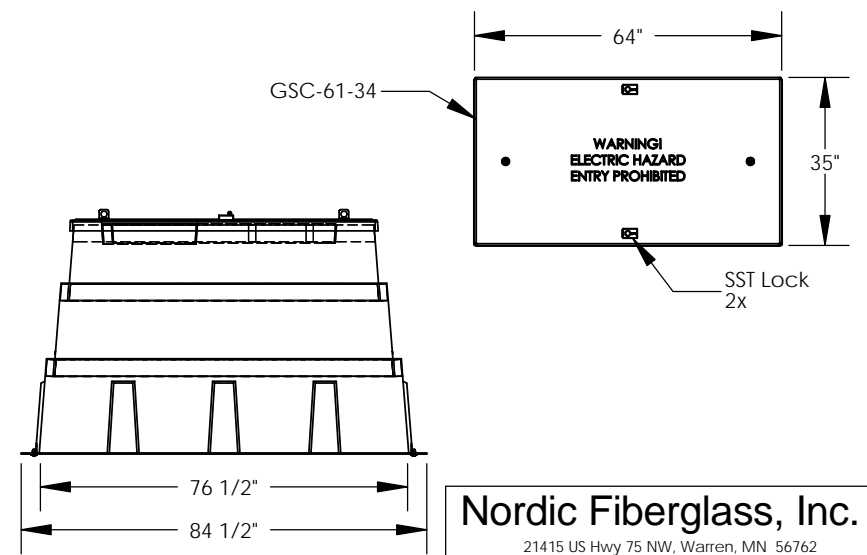
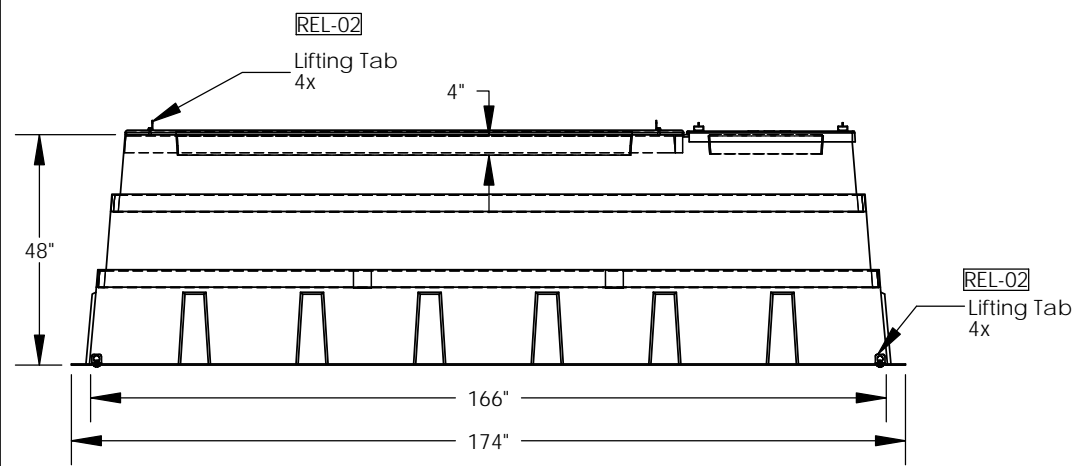
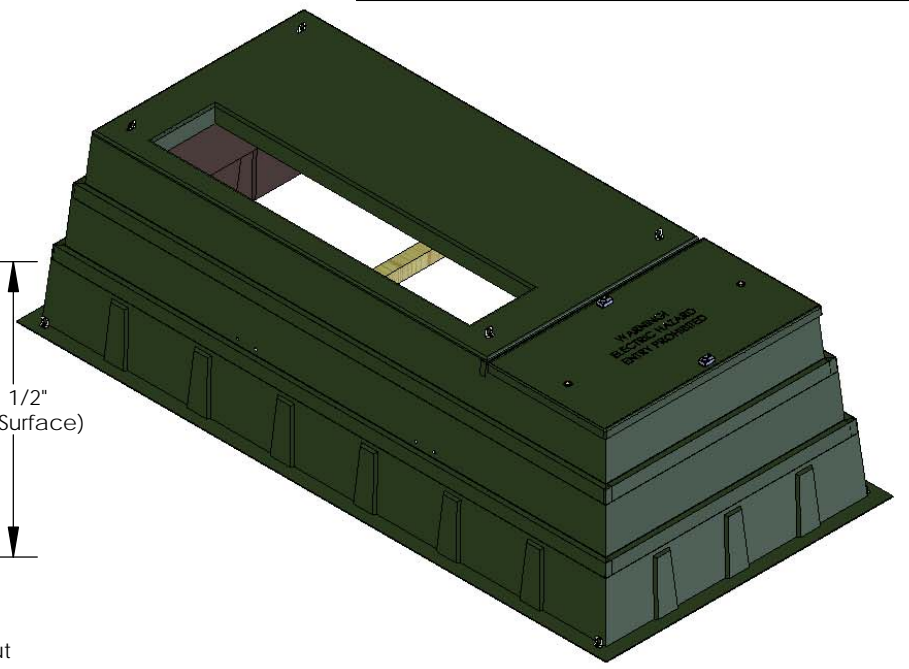
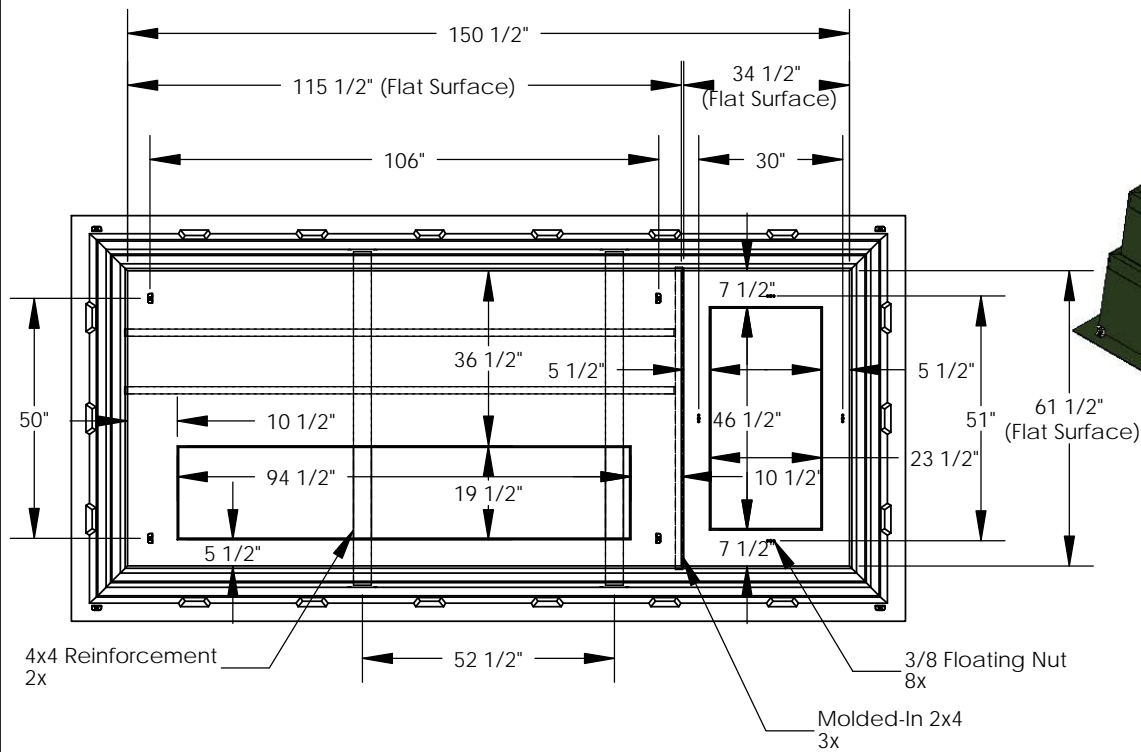


REVISIONS			
REV.	DESCRIPTION	DATE	APPROVED
REL-01		7/2/2007	
REL-02	Updated From ZN Coated Eyebolts	11/29/2011	R.L.J.



**PROPRIETARY AND CONFIDENTIAL**  
 THE INFORMATION CONTAINED IN THIS DRAWING IS THE SOLE PROPERTY OF NORDIC FIBERGLASS, INC. ANY REPRODUCTION IN PART OR AS A WHOLE WITHOUT THE WRITTEN PERMISSION OF NORDIC FIBERGLASS, INC. IS PROHIBITED.

Customer Name: N/A		
DIMENSIONS ARE IN INCHES TOLERANCES: ANGLES ± 1° FRACTIONAL ± 1/2 ONE PLACE DECIMAL ±.060 TWO PLACE DECIMAL ±.030 THREE PLACE DECIMAL ±.015		
MATERIAL		
DRAWN	NAME	DATE
P.J.W.		07/02/07
CHECKED		--/--/--

**Nordic Fiberglass, Inc.**  
 21415 US Hwy 75 NW, Warren, MN 56762  
 www.nordicfiberglass.com  
 218-745-5095 ph. --- 218-745-4990 fax

GS-150-61-48R-MG-24x47-95x20-GSC

SIZE	ITEM ID:	REV.
<b>A</b>	01541.00	<b>REL-02</b>
SCALE:1:40	SHEET 1 OF 1	