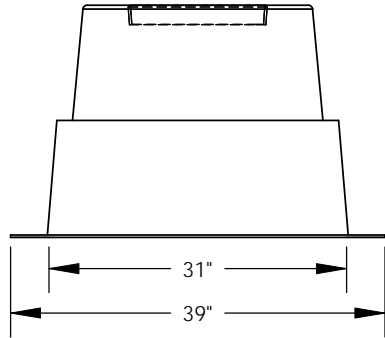
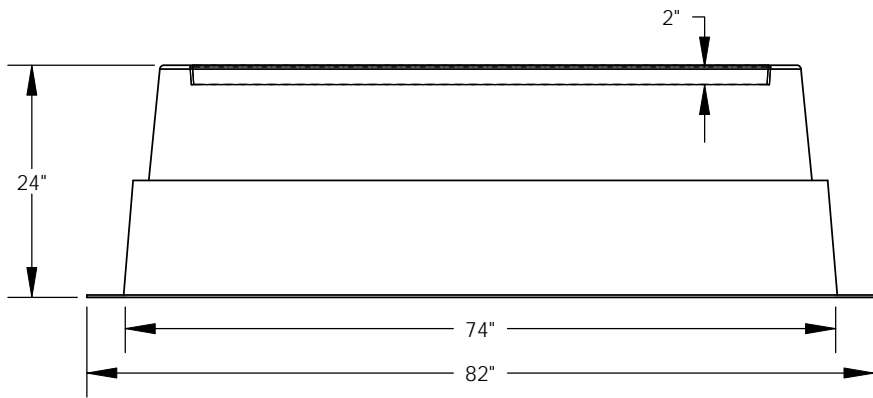
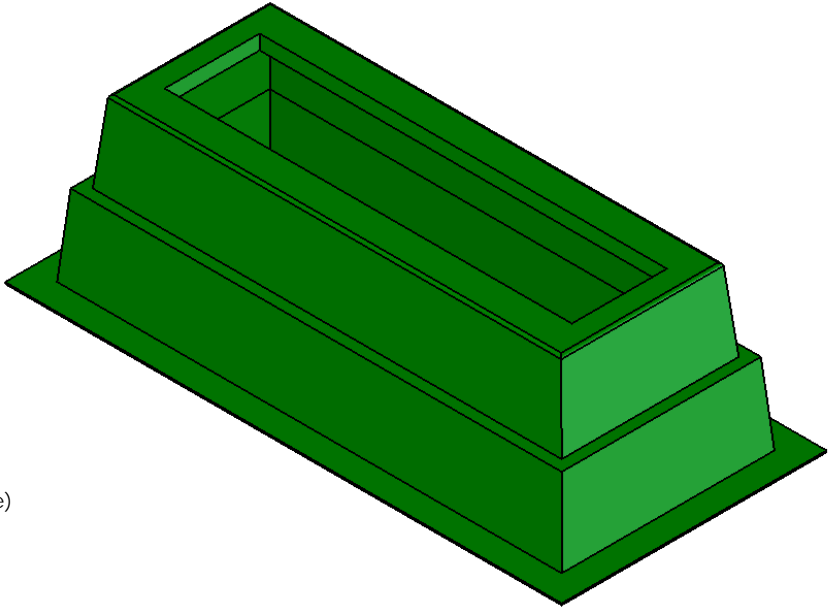
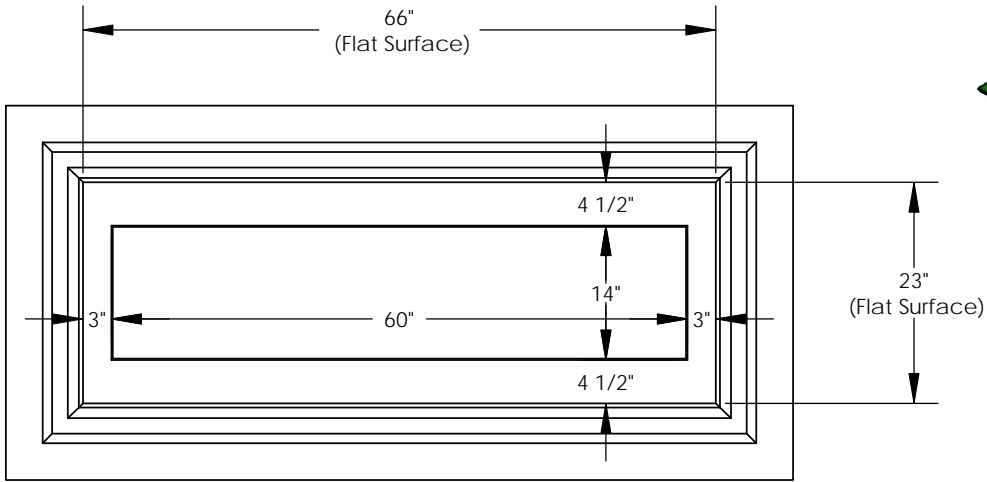


REVISIONS			
REV.	DESCRIPTION	DATE	APPROVED
REL-01		5/14/2007	



NOTE:  
Includes (6) 3/8x1.25 ZN Hex Bolts,  
(6) 3/8 ZN Hex Nuts, (12) 3/8 ZN Flat  
Washers, (6) 1/2 ZN Flat Washers

**Nordic Fiberglass, Inc.**

21415 US Hwy 75 NW, Warren, MN 56762  
www.nordicfiberglass.com  
218-745-5095 ph. --- 218-745-4990 fax

GS-67-24-24M-MG-60x14

Special Laminate Schedule:  
1/4" Laminate on Top Surface  
.20" Laminate 8 1/2" Down Sides  
1/4" Laminate 3 1/2" Above and  
Below Step

**PROPRIETARY AND CONFIDENTIAL**  
THE INFORMATION CONTAINED IN THIS DRAWING IS THE SOLE PROPERTY OF  
NORDIC FIBERGLASS, INC. ANY REPRODUCTION IN PART OR AS A WHOLE  
WITHOUT THE WRITTEN PERMISSION OF NORDIC FIBERGLASS, INC. IS PROHIBITED.

Customer Name: N/A		
DIMENSIONS ARE IN INCHES		
TOLERANCES: ANGLES $\pm 1^\circ$		
FRACTIONAL $\pm 1/2$		
ONE PLACE DECIMAL $\pm .060$		
TWO PLACE DECIMAL $\pm .030$		
THREE PLACE DECIMAL $\pm .015$		
MATERIAL		
DRAWN	NAME	DATE
	P.J.W.	05/14/07
CHECKED	---	--/--

SIZE	ITEM ID:	REV.
<b>A</b>	01501.00	<b>REL-01</b>
SCALE:1:20	SHEET 1 OF 1	