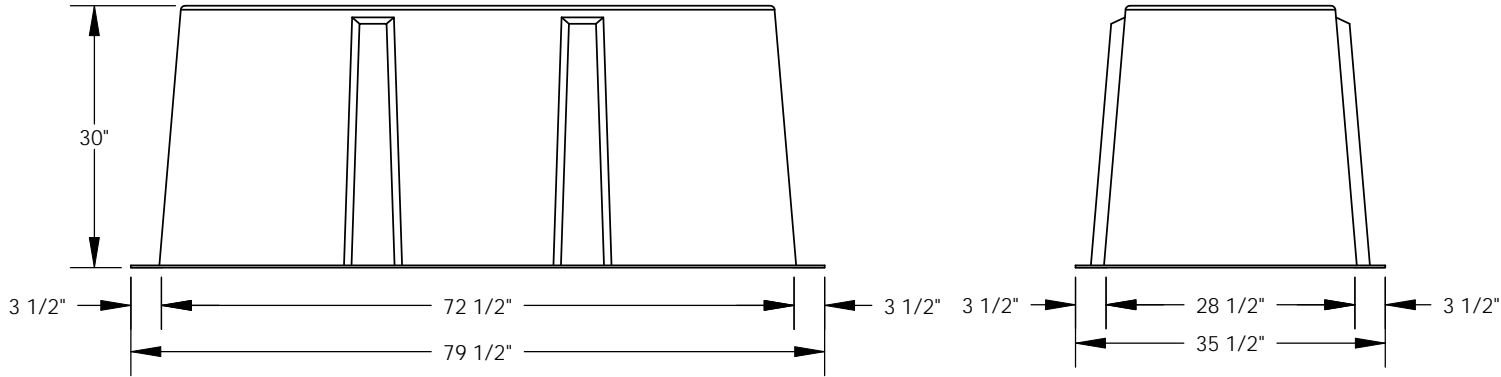
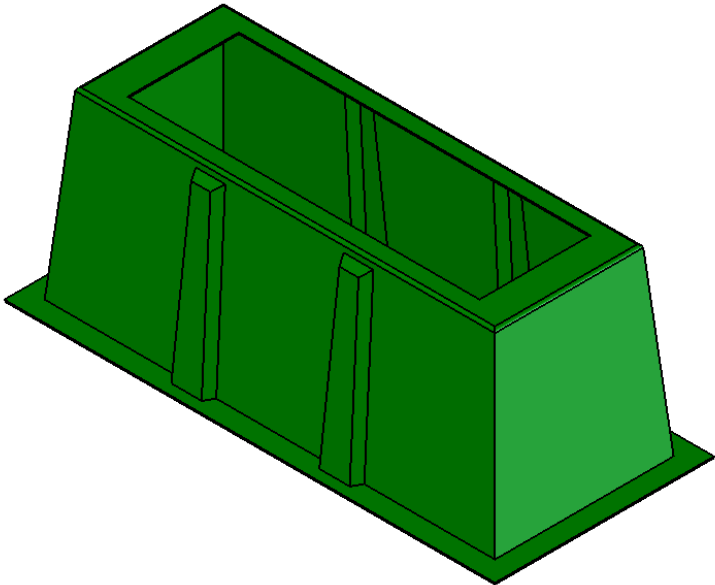
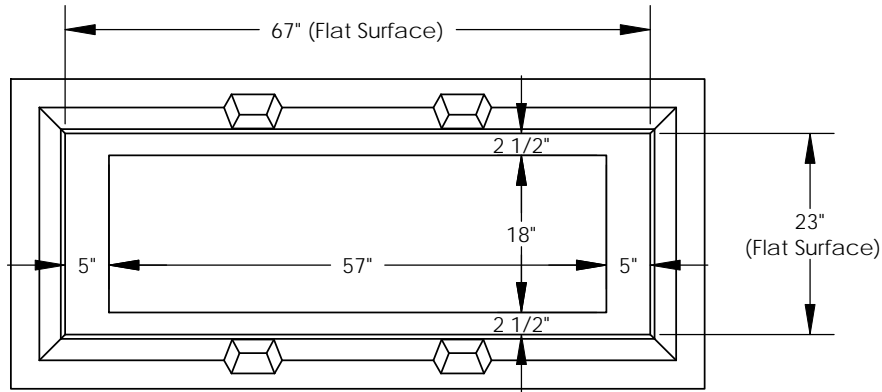


REVISIONS			
REV.	DESCRIPTION	DATE	APPROVED
REL-01		8/14/2008	



NOTE:
Includes (6) 3/8 ZN Hex Bolts,
(6) 3/8 ZN Hex Nuts, (12) 3/8 ZN
Flat Washers, (6) 3/8 ZN Lock
Washers

PROPRIETARY AND CONFIDENTIAL
THE INFORMATION CONTAINED IN THIS DRAWING IS THE SOLE PROPERTY OF
NORDIC FIBERGLASS, INC. ANY REPRODUCTION IN PART OR AS A WHOLE
WITHOUT THE WRITTEN PERMISSION OF NORDIC FIBERGLASS, INC. IS PROHIBITED.

Customer Name: N/A		
DIMENSIONS ARE IN INCHES		
TOLERANCES: ANGLES $\pm 1^\circ$		
FRACTIONAL $\pm 1/2$		
ONE PLACE DECIMAL $\pm .060$		
TWO PLACE DECIMAL $\pm .030$		
THREE PLACE DECIMAL $\pm .015$		
MATERIAL		
DRAWN	NAME	DATE
CHECKED	R.L.J.	08/14/08
		--/--/--

Nordic Fiberglass, Inc.
21415 US Hwy 75 NW, Warren, MN 56762
www.nordicfiberglass.com
218-745-5095 ph. --- 218-745-4990 fax

GS-67-23-30-MG-57x18		
SIZE	ITEM ID:	REV.
A	01490.00	REL-01
SCALE:1:24		SHEET 1 OF 1