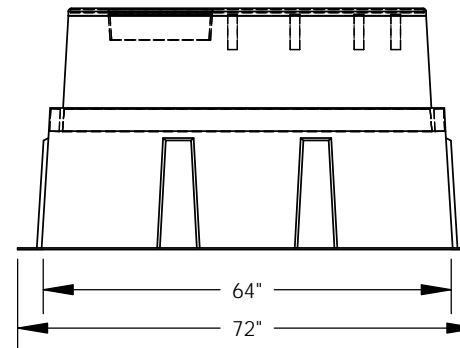
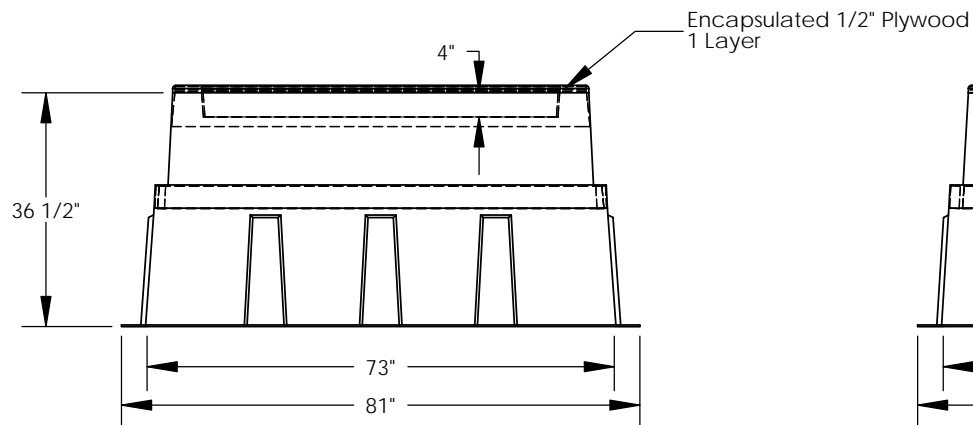
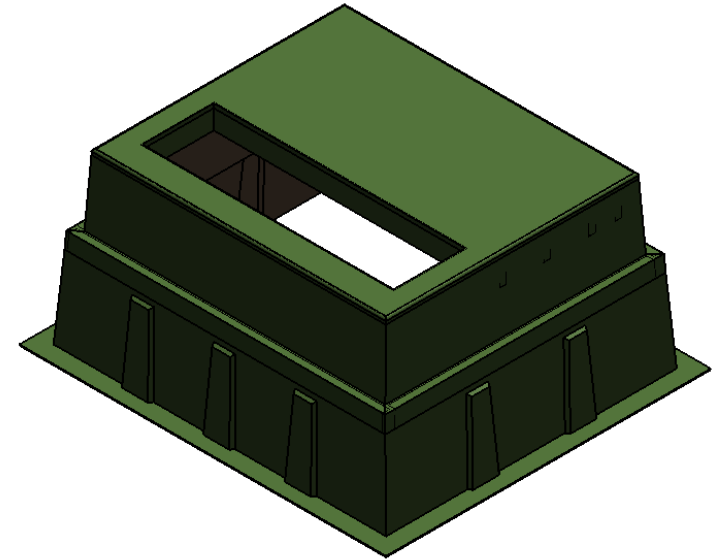
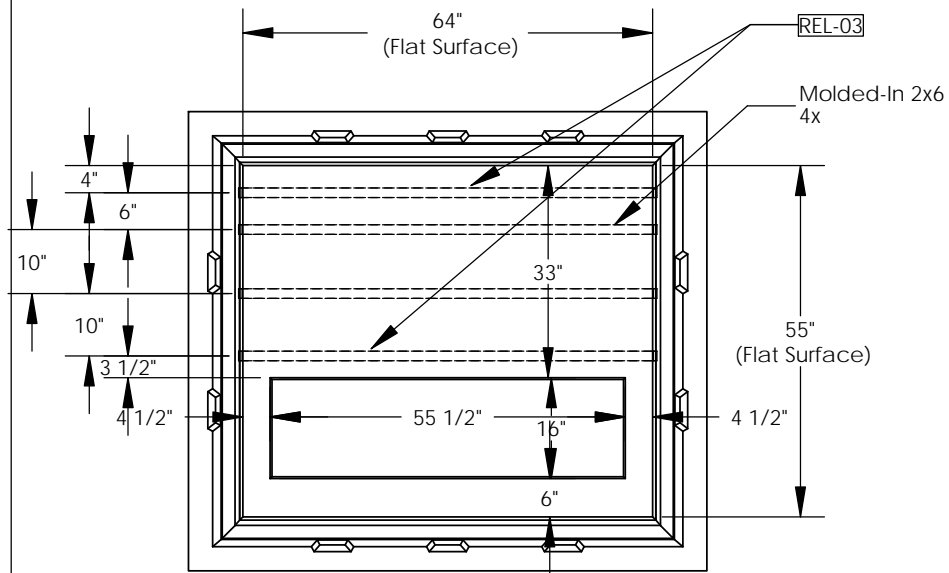


REVISIONS			
REV.	DESCRIPTION	DATE	APPROVED
REL-01		7/25/2007	
REL-02	Changed from 3/4" Plywood and 2x4's	1/31/2008	P.J.W.
REL-03	Change Orientation and # of 2x6's	12/4/2012	M.F.K.



PROPRIETARY AND CONFIDENTIAL
 THE INFORMATION CONTAINED IN THIS DRAWING IS THE SOLE PROPERTY OF NORDIC FIBERGLASS, INC. ANY REPRODUCTION IN PART OR AS A WHOLE WITHOUT THE WRITTEN PERMISSION OF NORDIC FIBERGLASS, INC. IS PROHIBITED.

Customer Name: N/A		
DIMENSIONS ARE IN INCHES		
TOLERANCES: ANGLES ± 1°		
FRACTIONAL ± 1/2		
ONE PLACE DECIMAL ±.060		
TWO PLACE DECIMAL ±.030		
THREE PLACE DECIMAL ±.015		
MATERIAL		
DRAWN	NAME	DATE
CHECKED	---	--/--
	P.J.W.	07/25/07

Nordic Fiberglass, Inc.
 21415 US Hwy 75 NW, Warren, MN 56762
 www.nordicfiberglass.com
 218-745-5095 ph. --- 218-745-4990 fax

GS-65-56-36RT-MG-56x16

SIZE	ITEM ID:	REV.
A	01460.00	REL-03
SCALE:1:30	SHEET 1 OF 1	