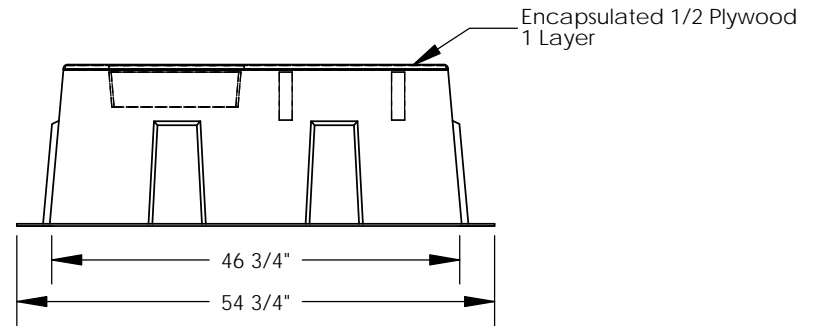
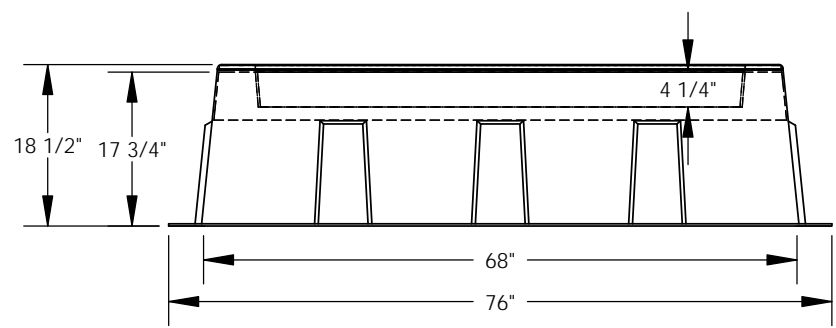
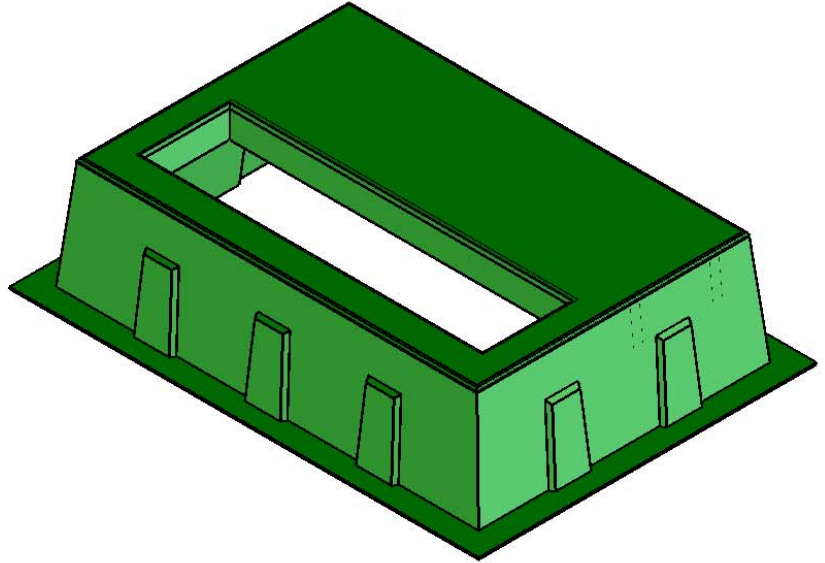
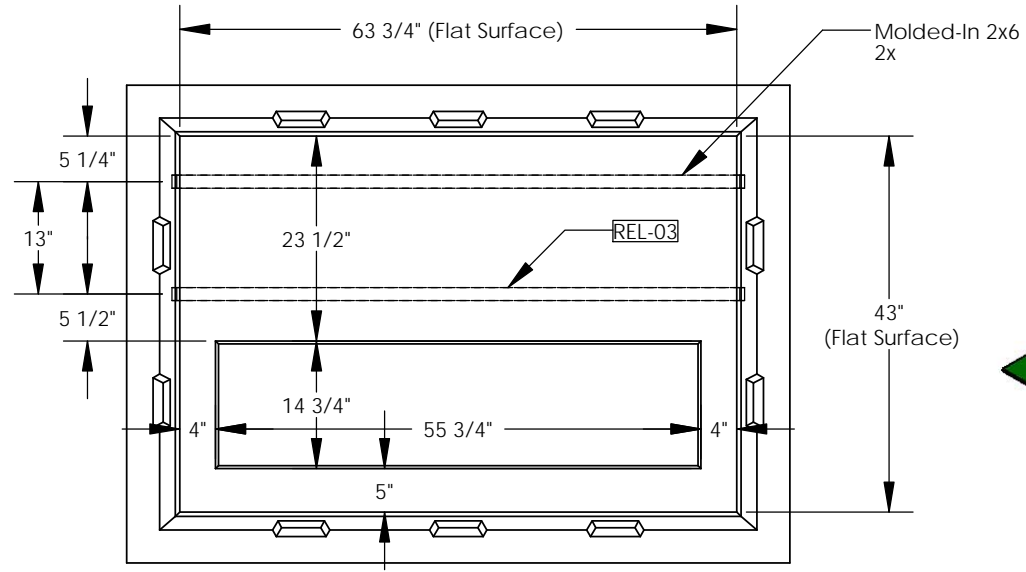


REVISIONS			
REV.	DESCRIPTION	DATE	APPROVED
REL-01		4/17/2007	
REL-02	Changed from 3/4" Plywood and 2x4's	7/16/2008	R.L.J.
REL-03	Relocated Front 2x6	1/26/2011	R.L.J.



PROPRIETARY AND CONFIDENTIAL
 THE INFORMATION CONTAINED IN THIS DRAWING IS THE SOLE PROPERTY OF NORDIC FIBERGLASS, INC. ANY REPRODUCTION IN PART OR AS A WHOLE WITHOUT THE WRITTEN PERMISSION OF NORDIC FIBERGLASS, INC. IS PROHIBITED.

Customer Name: N/A		
DIMENSIONS ARE IN INCHES		
TOLERANCES: ANGLES ± 1°		
FRACTIONAL ± 1/32		
ONE PLACE DECIMAL ±.060		
TWO PLACE DECIMAL ±.030		
THREE PLACE DECIMAL ±.015		
MATERIAL		
DRAWN	NAME	DATE
CHECKED	P.J.W.	04/17/07
		--/--

Nordic Fiberglass, Inc.
 21415 US Hwy 75 NW, Warren, MN 56762
 www.nordicfiberglass.com
 218-745-5095 ph. --- 218-745-4990 fax

GS-65-44-20RT-MG-56x15

SIZE	ITEM ID:	REV.
A	01400.00	REL-03
SCALE:1:20		SHEET 1 OF 1