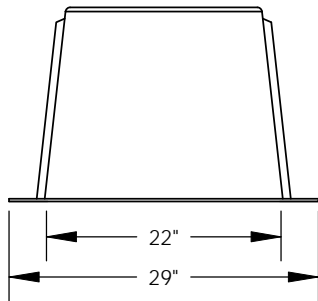
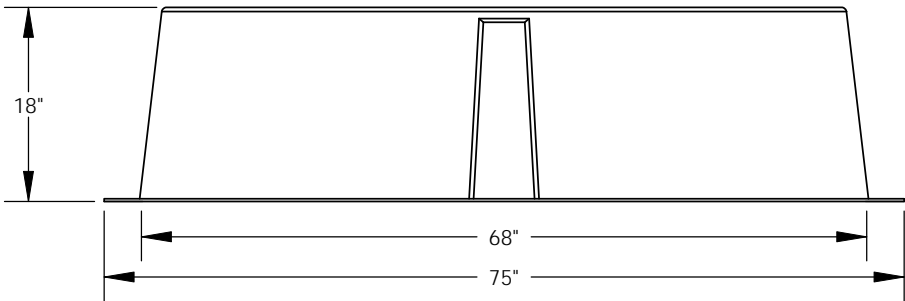
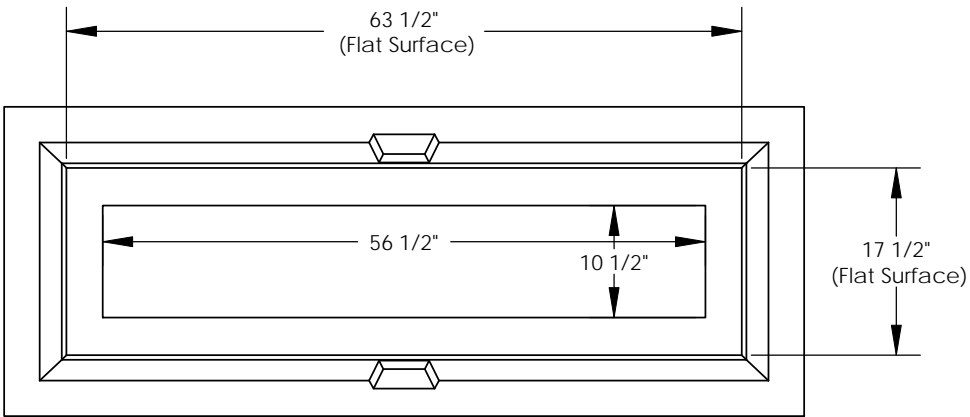
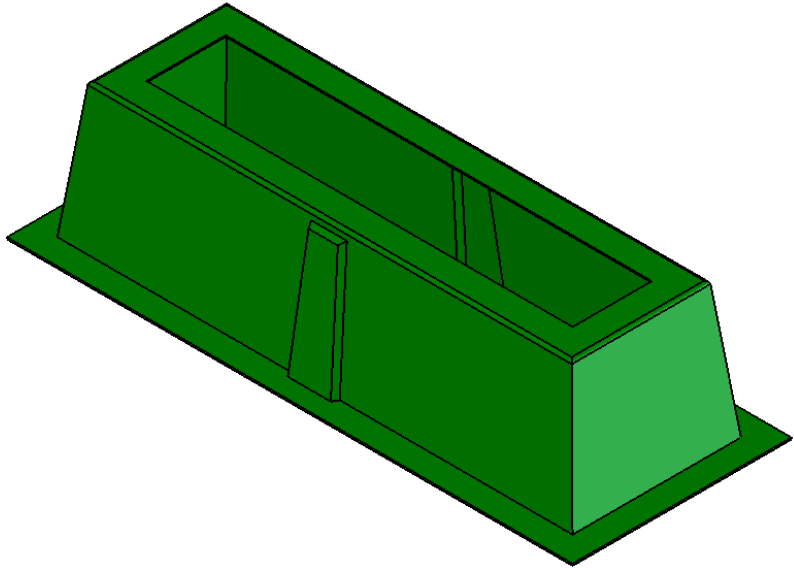


REVISIONS			
REV.	DESCRIPTION	DATE	APPROVED
REL-01		4/25/2007	



NOTE:
Includes (6) 3/8x1.25 Zn Hex Bolts,
(6) 3/8 Zn Hex Nuts, (12) 3/8 Zn Flat
Washers, (6) 1/2 Zn Flat Washers

Nordic Fiberglass, Inc.

21415 US Hwy 75 NW, Warren, MN 56762
www.nordicfiberglass.com
218-745-5095 ph. --- 218-745-4990 fax

GS-64-18-18M-MG-56.5x10.5

PROPRIETARY AND CONFIDENTIAL
THE INFORMATION CONTAINED IN THIS DRAWING IS THE SOLE PROPERTY OF
NORDIC FIBERGLASS, INC. ANY REPRODUCTION IN PART OR AS A WHOLE
WITHOUT THE WRITTEN PERMISSION OF NORDIC FIBERGLASS, INC. IS PROHIBITED.

Customer Name: N/A		
DIMENSIONS ARE IN INCHES		
TOLERANCES: ANGLES ± 1°		
FRACTIONAL ± 1/2		
ONE PLACE DECIMAL ±.060		
TWO PLACE DECIMAL ±.030		
THREE PLACE DECIMAL ±.015		
MATERIAL		
	NAME	DATE
DRAWN	P.J.W.	04/25/07
CHECKED	---	--/--/--

SIZE	ITEM ID:	REV.
A	01360.00	REL-01
SCALE:1:18	SHEET 1 OF 1	