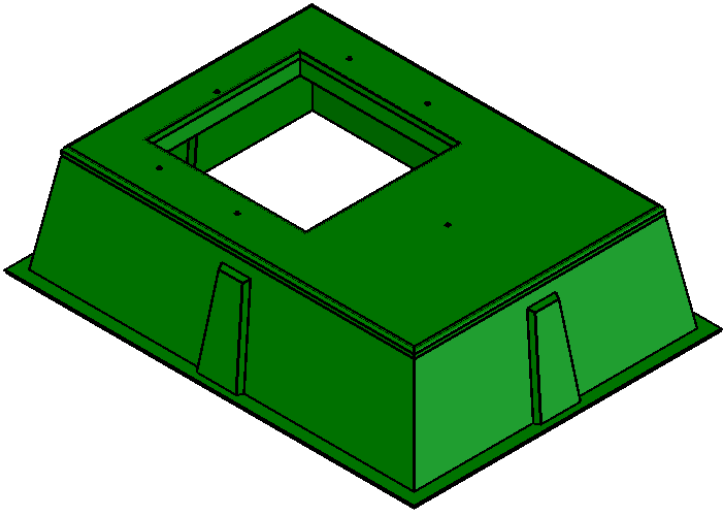
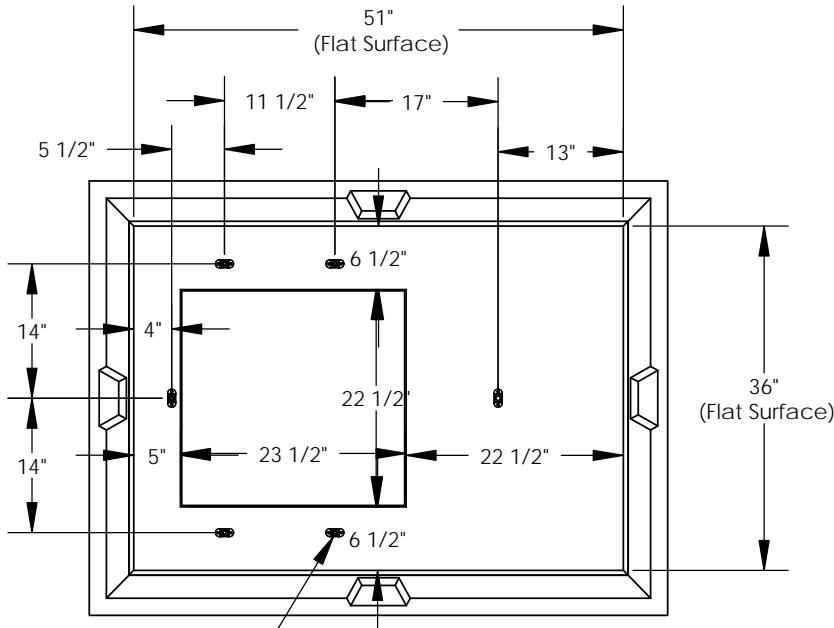
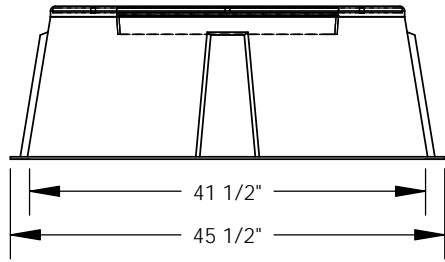
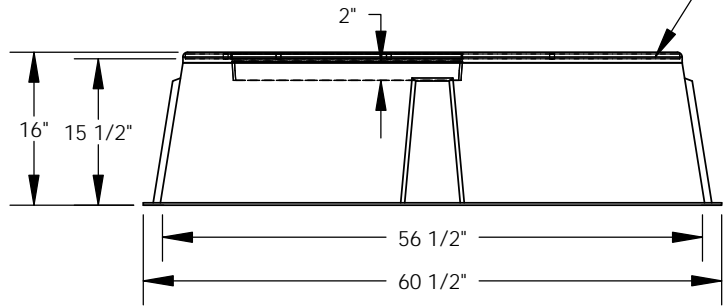


REVISIONS			
REV.	DESCRIPTION	DATE	APPROVED
REL-01		6/11/2007	



3/8 Floating Nut  
6x

Encapsulated 1/2" Plywood  
1 Layer



**PROPRIETARY AND CONFIDENTIAL**  
THE INFORMATION CONTAINED IN THIS DRAWING IS THE SOLE PROPERTY OF NORDIC FIBERGLASS, INC. ANY REPRODUCTION IN PART OR AS A WHOLE WITHOUT THE WRITTEN PERMISSION OF NORDIC FIBERGLASS, INC. IS PROHIBITED.

Customer Name: N/A		
DIMENSIONS ARE IN INCHES		
TOLERANCES: ANGLES ± 1°		
FRACTIONAL ± 1/2		
ONE PLACE DECIMAL ±.060		
TWO PLACE DECIMAL ±.030		
THREE PLACE DECIMAL ±.015		
MATERIAL		
DRAWN	NAME	DATE
	P.J.W.	06/11/07
CHECKED	---	--/--/--

**Nordic Fiberglass, Inc.**  
21415 US Hwy 75 NW, Warren, MN 56762  
www.nordicfiberglass.com  
218-745-5095 ph. --- 218-745-4990 fax

GS-37-52-15-MG-23x24		
SIZE	ITEM ID:	REV.
<b>A</b>	00960.00	<b>REL-01</b>
SCALE:1:20	SHEET 1 OF 1	