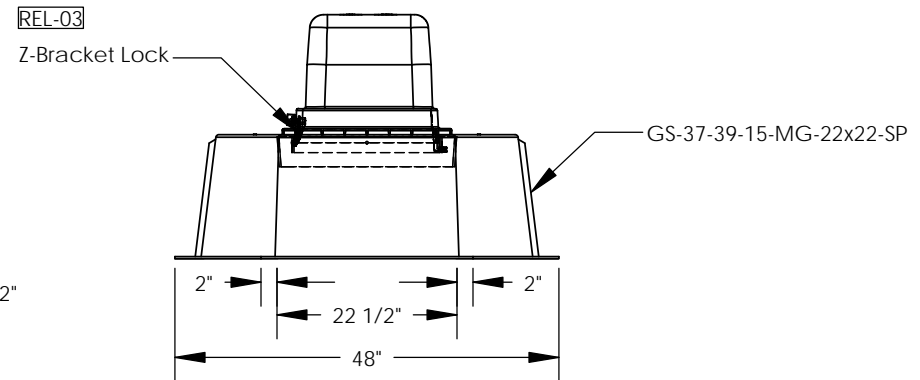
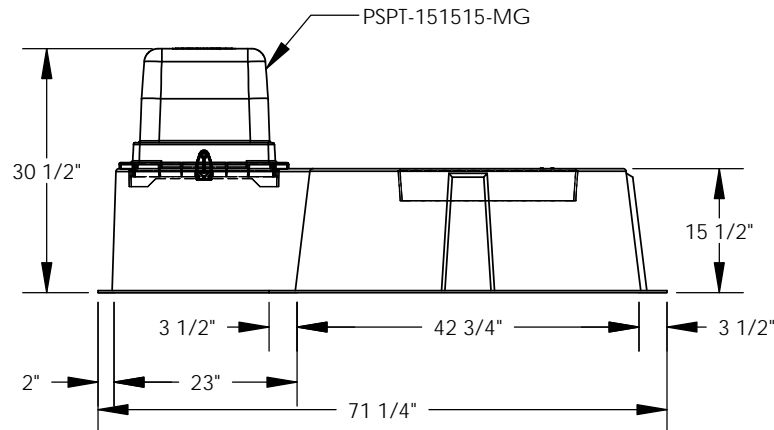
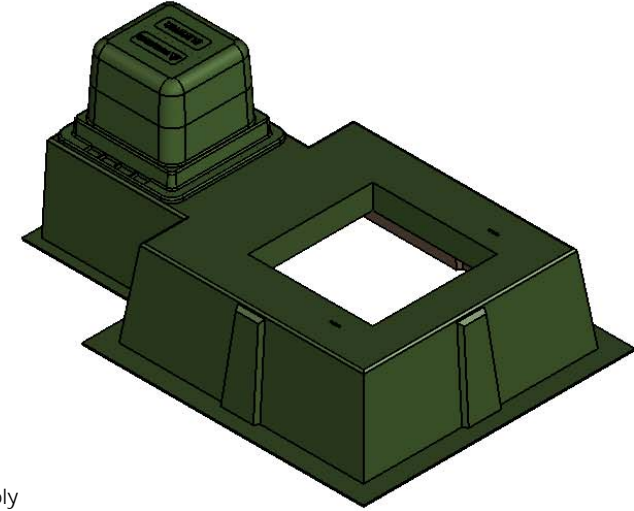
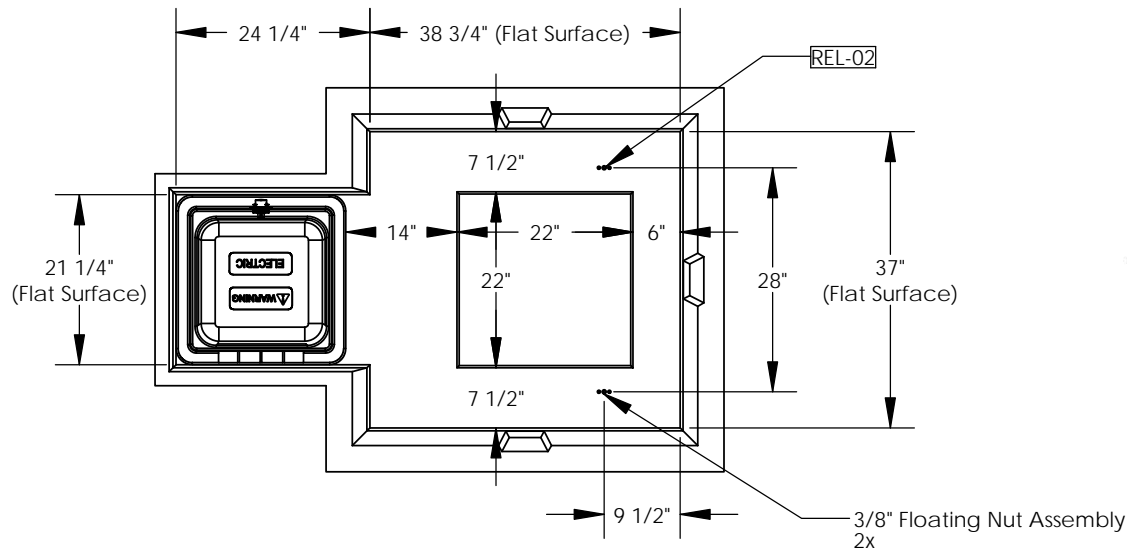


REVISIONS			
REV.	DESCRIPTION	DATE	APPROVED
REL-01		8/27/2009	
REL-02	Added 2 FN-38's	4/4/2014	R.L.J.
REL-03	Updated From Z-Bracket Kit	6/24/2014	R.L.J.



PROPRIETARY AND CONFIDENTIAL
 THE INFORMATION CONTAINED IN THIS DRAWING IS THE SOLE PROPERTY OF NORDIC FIBERGLASS, INC. ANY REPRODUCTION IN PART OR AS A WHOLE WITHOUT THE WRITTEN PERMISSION OF NORDIC FIBERGLASS, INC. IS PROHIBITED.

Customer Name: N/A		
DIMENSIONS ARE IN INCHES		
TOLERANCES: ANGLES ± 1°		
FRACTIONAL ± 1/2		
ONE PLACE DECIMAL ±.060		
TWO PLACE DECIMAL ±.030		
THREE PLACE DECIMAL ±.015		
MATERIAL		
DRAWN	NAME	DATE
CHECKED	R.L.J.	08/26/09
	---	--/--

Nordic Fiberglass, Inc.
 21415 US Hwy 75 NW, Warren, MN 56762
 www.nordicfiberglass.com
 218-745-5095 ph. --- 218-745-4990 fax

GS-37-39-15-SP-MG-22x22

SIZE	ITEM ID:	REV.
A	00812.01	REL-03
SCALE:1:24	SHEET 1 OF 1	