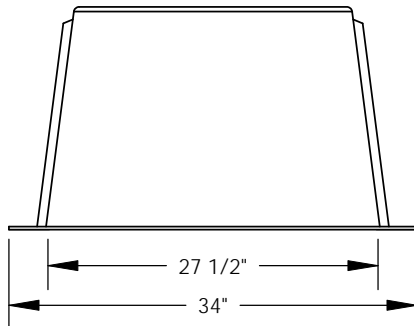
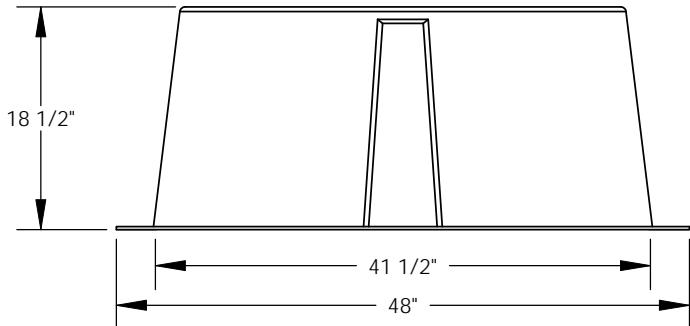
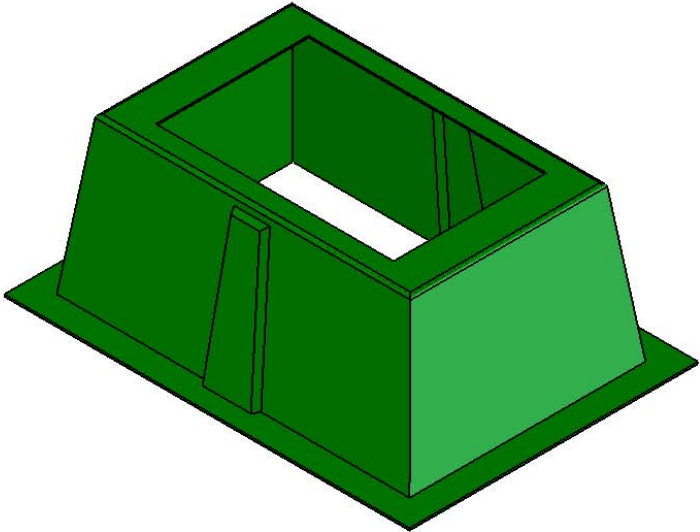
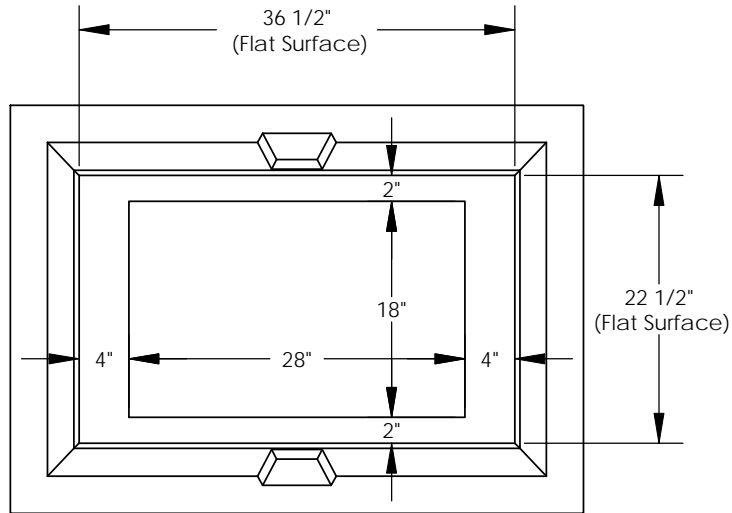


REVISIONS			
REV.	DESCRIPTION	DATE	APPROVED
REL-01		4/26/2007	



NOTE:  
Includes (4) 3/8x1.25 ZN Hex Bolts,  
(4) 3/8 ZN Hex Nuts, (8) 3/8 ZN Flat  
Washers, (4) 1/2 ZN Flat Washers

**Nordic Fiberglass, Inc.**  
21415 US Hwy 75 NW, Warren, MN 56762  
www.nordicfiberglass.com  
218-745-5095 ph. --- 218-745-4990 fax

GS-37-23-18M-MG-28x18		REV.
SIZE	ITEM ID:	REV.
<b>A</b>	00790.00	<b>REL-01</b>
SCALE:1:16	SHEET 1 OF 1	

**PROPRIETARY AND CONFIDENTIAL**  
THE INFORMATION CONTAINED IN THIS DRAWING IS THE SOLE PROPERTY OF  
NORDIC FIBERGLASS, INC. ANY REPRODUCTION IN PART OR AS A WHOLE  
WITHOUT THE WRITTEN PERMISSION OF NORDIC FIBERGLASS, INC. IS PROHIBITED.

Customer Name: N/A		
DIMENSIONS ARE IN INCHES		
TOLERANCES: ANGLES ± 1°		
FRACTIONAL ± 1/2		
ONE PLACE DECIMAL ±.060		
TWO PLACE DECIMAL ±.030		
THREE PLACE DECIMAL ±.015		
MATERIAL		
	NAME	DATE
DRAWN	P.J.W.	04/26/07
CHECKED	---	--/--/--