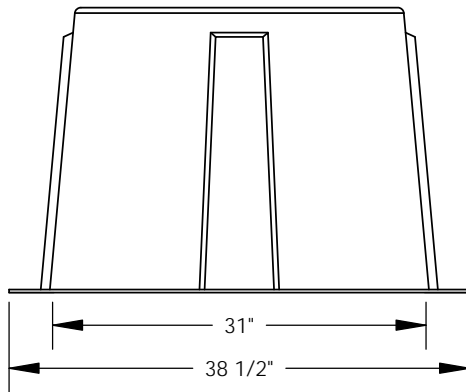
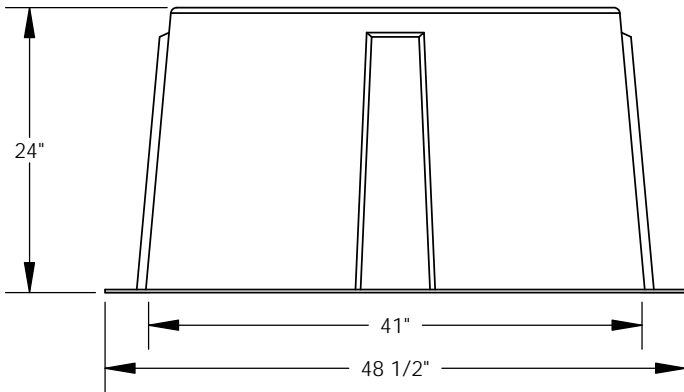
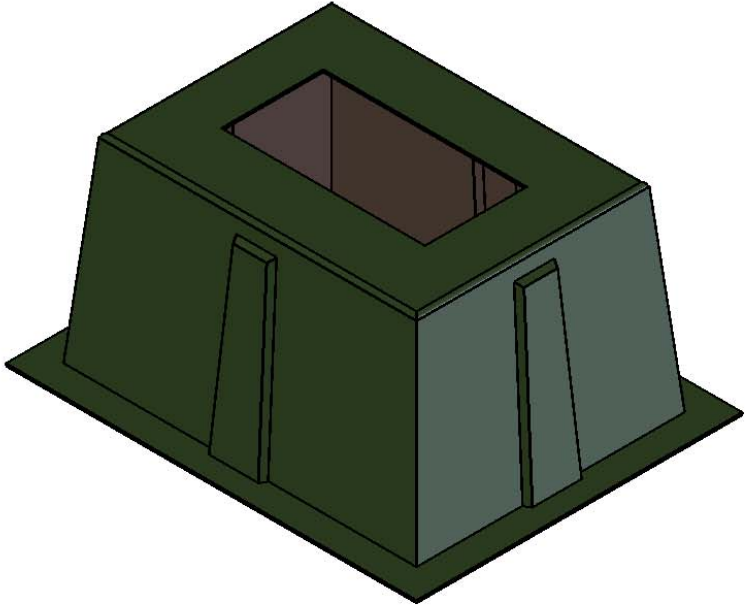
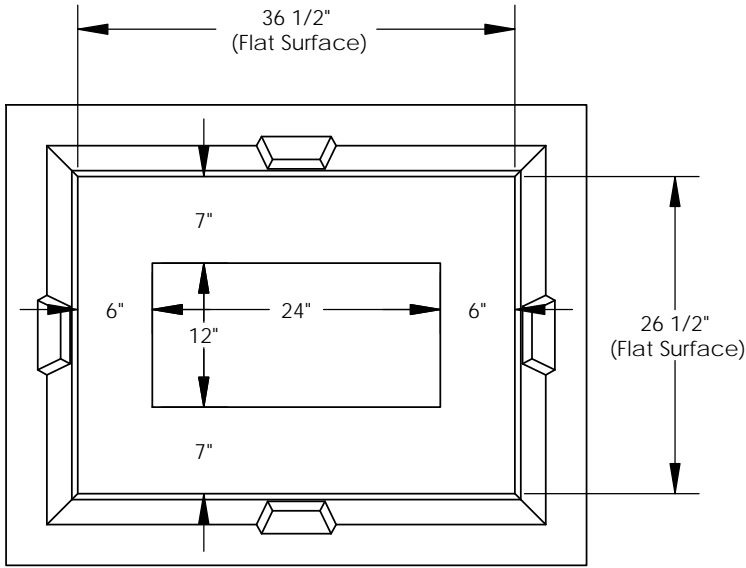


REVISIONS			
REV.	DESCRIPTION	DATE	APPROVED
REL-01		7/10/2007	



NOTE:  
Includes (4) 3/8x1.5 SST Hex Bolts,  
(4) 3/8 SST Hex Nuts, (8) 3/8 SST Flat  
Washers, (4) 1/2 SST Flat Washers

**Nordic Fiberglass, Inc.**  
21415 US Hwy 75 NW, Warren, MN 56762  
www.nordicfiberglass.com  
218-745-5095 ph. --- 218-745-4990 fax

GS-36-26-24-MG-24x12		REV.
SIZE	ITEM ID:	REV.
<b>A</b>	00735.00	<b>REL-01</b>
SCALE: 1:16	SHEET 1 OF 1	

**PROPRIETARY AND CONFIDENTIAL**  
THE INFORMATION CONTAINED IN THIS DRAWING IS THE SOLE PROPERTY OF  
NORDIC FIBERGLASS, INC. ANY REPRODUCTION IN PART OR AS A WHOLE  
WITHOUT THE WRITTEN PERMISSION OF NORDIC FIBERGLASS, INC. IS PROHIBITED.

Customer Name: N/A		
DIMENSIONS ARE IN INCHES		
TOLERANCES: ANGLES ± 1°		
FRACTIONAL ± 1/2		
ONE PLACE DECIMAL ±.060		
TWO PLACE DECIMAL ±.030		
THREE PLACE DECIMAL ±.015		
MATERIAL		
DRAWN	NAME	DATE
	P.J.W.	07/10/07
CHECKED	---	--/--/--