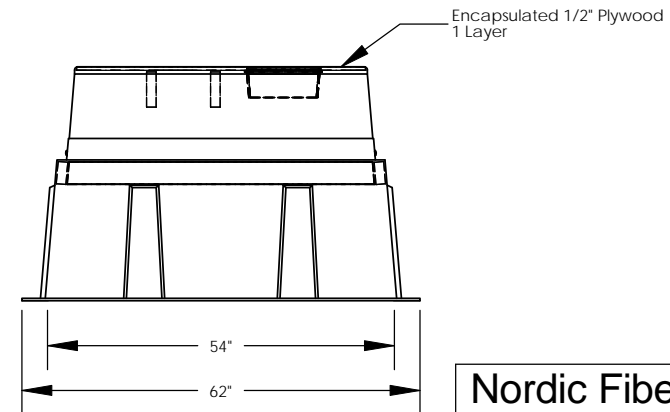
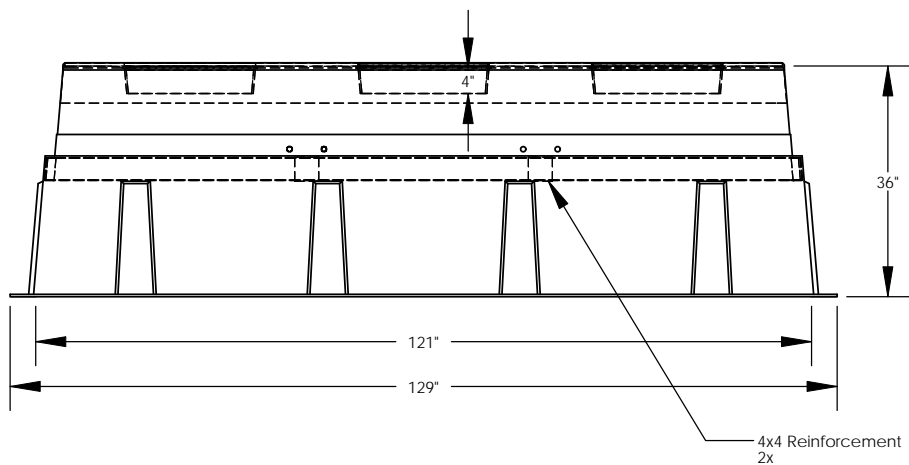
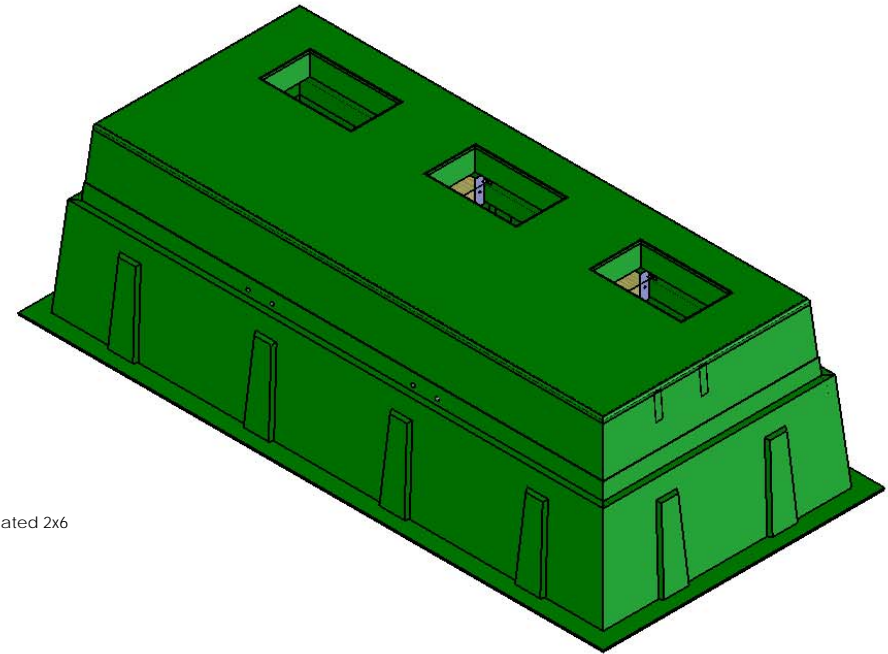
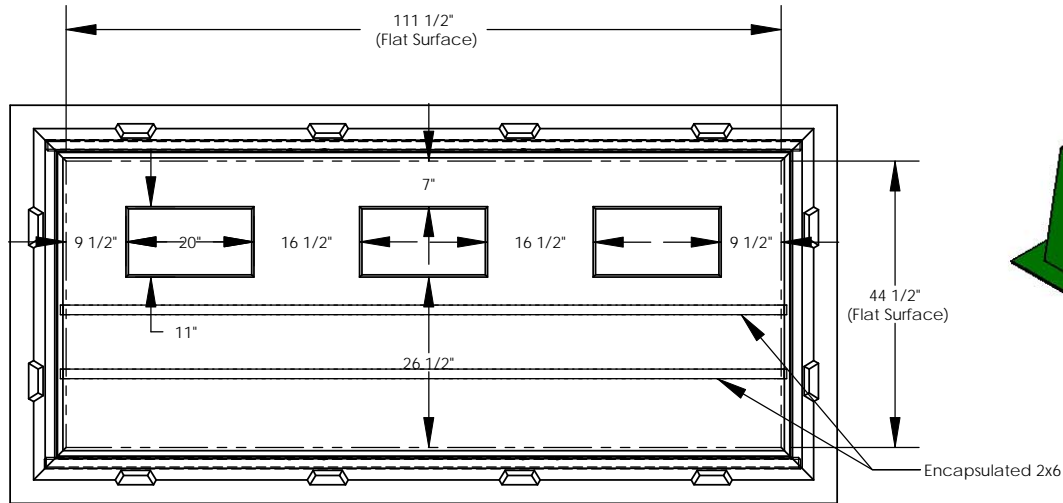


| REVISIONS |   |            |          |
|-----------|---|------------|----------|
| REV.      | DESCRIPTION                             | DATE       | APPROVED |
| REL-01    |   | 12/20/2005 |          |
| REL-02    | Changed from 2x4's and 2 Layers Plywood | 6/7/2007   | P.J.W.   |



**PROPRIETARY AND CONFIDENTIAL**  
 THE INFORMATION CONTAINED IN THIS DRAWING IS THE SOLE PROPERTY OF NORDIC FIBERGLASS, INC. ANY REPRODUCTION IN PART OR AS A WHOLE WITHOUT THE WRITTEN PERMISSION OF NORDIC FIBERGLASS, INC. IS PROHIBITED.

|   |        |          |
|---|--------|----------|
| Customer Name: N/A  |        |          |
| DIMENSIONS ARE IN INCHES<br>TOLERANCES: ANGLES $\pm 1^\circ$<br>FRACTIONAL $\pm 1/32$<br>ONE PLACE DECIMAL $\pm .060$<br>TWO PLACE DECIMAL $\pm .030$<br>THREE PLACE DECIMAL $\pm .015$ |        |          |
| MATERIAL  |        |          |
| DRAWN   | NAME   | DATE     |
| CHECKED   | P.J.W. | 12/20/05 |
|   |        | --/--    |

**Nordic Fiberglass, Inc.**  
 21415 US Hwy 75 NW, Warren, MN 56762  
 www.nordicfiberglass.com  
 218-745-5095 ph. --- 218-745-4990 fax

GS-111-44-36RT-30-MG-20X11

|             |          |               |
|-------------|----------|---------------|
| SIZE        | ITEM ID: | REV.          |
| <b>A</b>    | 00295.00 | <b>REL-02</b> |
| SCALE: 1:30 |          | SHEET 1 OF 1  |