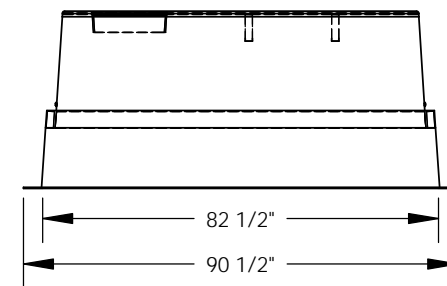
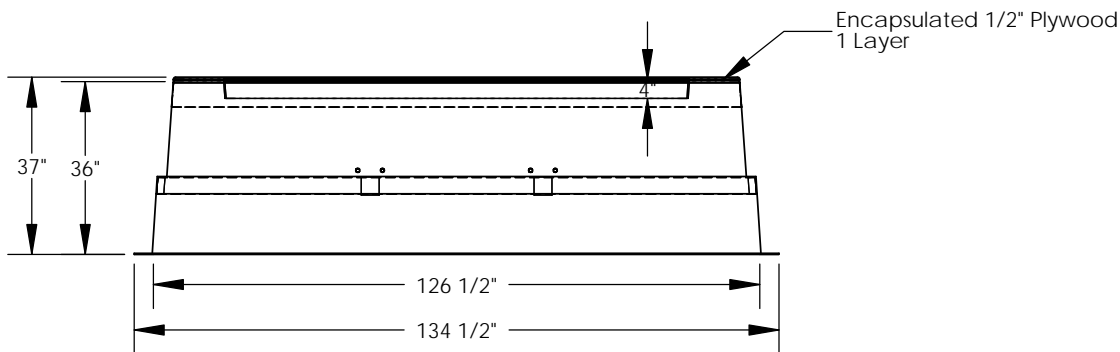
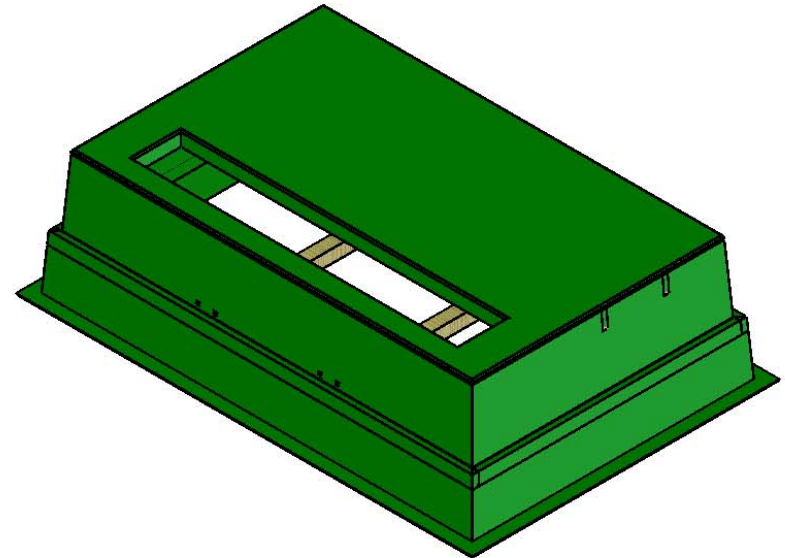
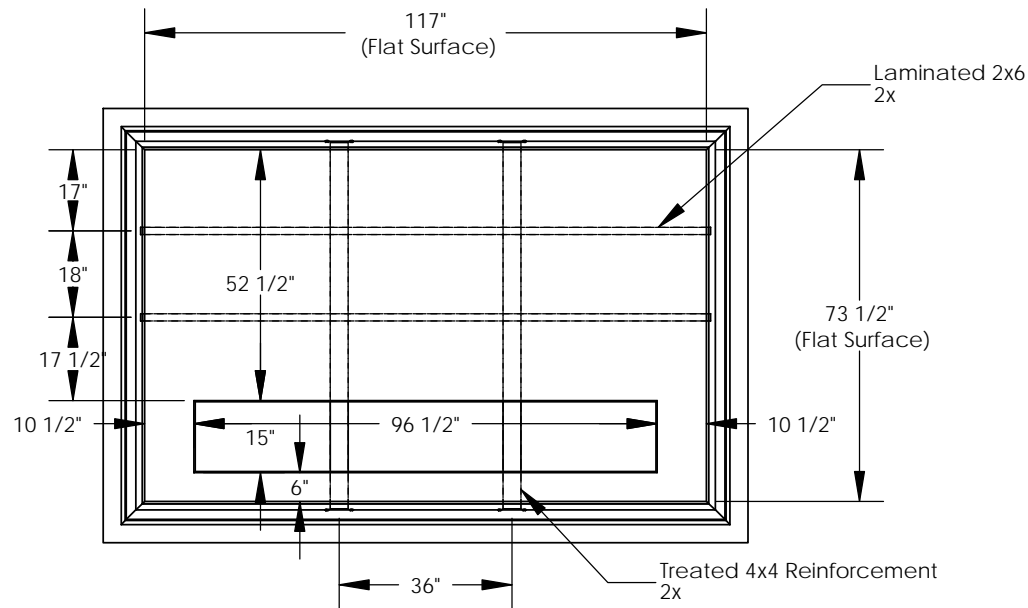


REVISIONS			
REV.	DESCRIPTION	DATE	APPROVED
REL-01		8/7/2007	



PROPRIETARY AND CONFIDENTIAL
 THE INFORMATION CONTAINED IN THIS DRAWING IS THE SOLE PROPERTY OF NORDIC FIBERGLASS, INC. ANY REPRODUCTION IN PART OR AS A WHOLE WITHOUT THE WRITTEN PERMISSION OF NORDIC FIBERGLASS, INC. IS PROHIBITED.

Customer Name: N/A		
DIMENSIONS ARE IN INCHES TOLERANCES: ANGLES $\pm 1^\circ$ FRACTIONAL $\pm 1/2$ ONE PLACE DECIMAL $\pm .060$ TWO PLACE DECIMAL $\pm .030$ THREE PLACE DECIMAL $\pm .015$		
MATERIAL		
DRAWN	P.J.W.	08/07/07
CHECKED	---	--/--/---

Nordic Fiberglass, Inc.		
21415 US Hwy 75 NW, Warren, MN 56762 www.nordicfiberglass.com 218-745-5095 ph. --- 218-745-4990 fax		
GS-118-74-36-SCV-MG-96.5x15		
SIZE	ITEM ID:	REV.
A	00270.32	REL-01
SCALE:1:40	SHEET 1 OF 1	