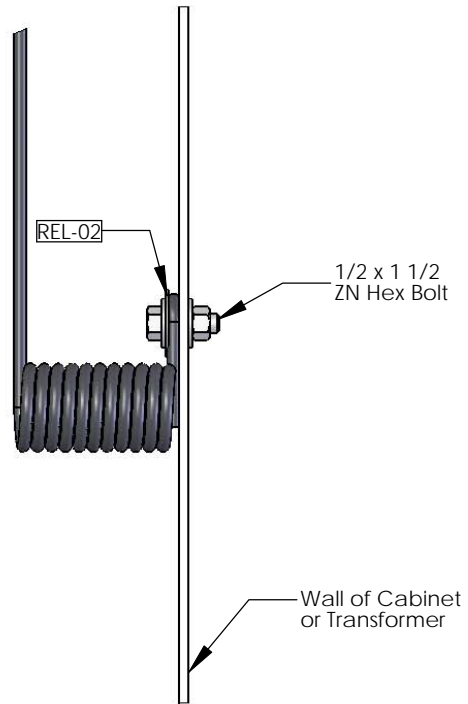
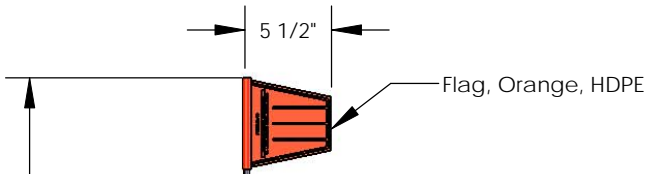
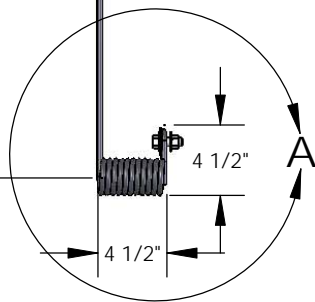


REVISIONS			
REV.	DESCRIPTION	DATE	APPROVED
REL-01		12/12/2005	
REL-02	Replaced Clip with Washer	10/8/2008	M.F.K.
REL-03	Updated Flag Design	9/10/2009	R.L.J.



DETAIL A  
SCALE 1 : 5



Dimensions are Approximate

### Nordic Fiberglass, Inc.

21415 US Hwy 75 NW, Warren, MN 56762  
 www.nordicfiberglass.com  
 218-745-5095 ph. --- 218-745-4990 fax

FF-2C, 72 CABINET MARKER

Customer Name: N/A

DIMENSIONS ARE IN INCHES  
 TOLERANCES: ANGLES ± 1°  
 FRACTIONAL ± 1/2  
 ONE PLACE DECIMAL ±.060  
 TWO PLACE DECIMAL ±.030  
 THREE PLACE DECIMAL ±.015

MATERIAL

	NAME	DATE
DRAWN	P.J.W.	12/12/05
CHECKED	---	--/--

SIZE **A**  
 SCALE: 1:16

ITEM ID: 00230.00

REV. **REL-03**

SHEET 1 OF 1

**PROPRIETARY AND CONFIDENTIAL**

THE INFORMATION CONTAINED IN THIS DRAWING IS THE SOLE PROPERTY OF NORDIC FIBERGLASS, INC. ANY REPRODUCTION IN PART OR AS A WHOLE WITHOUT THE WRITTEN PERMISSION OF NORDIC FIBERGLASS, INC. IS PROHIBITED.