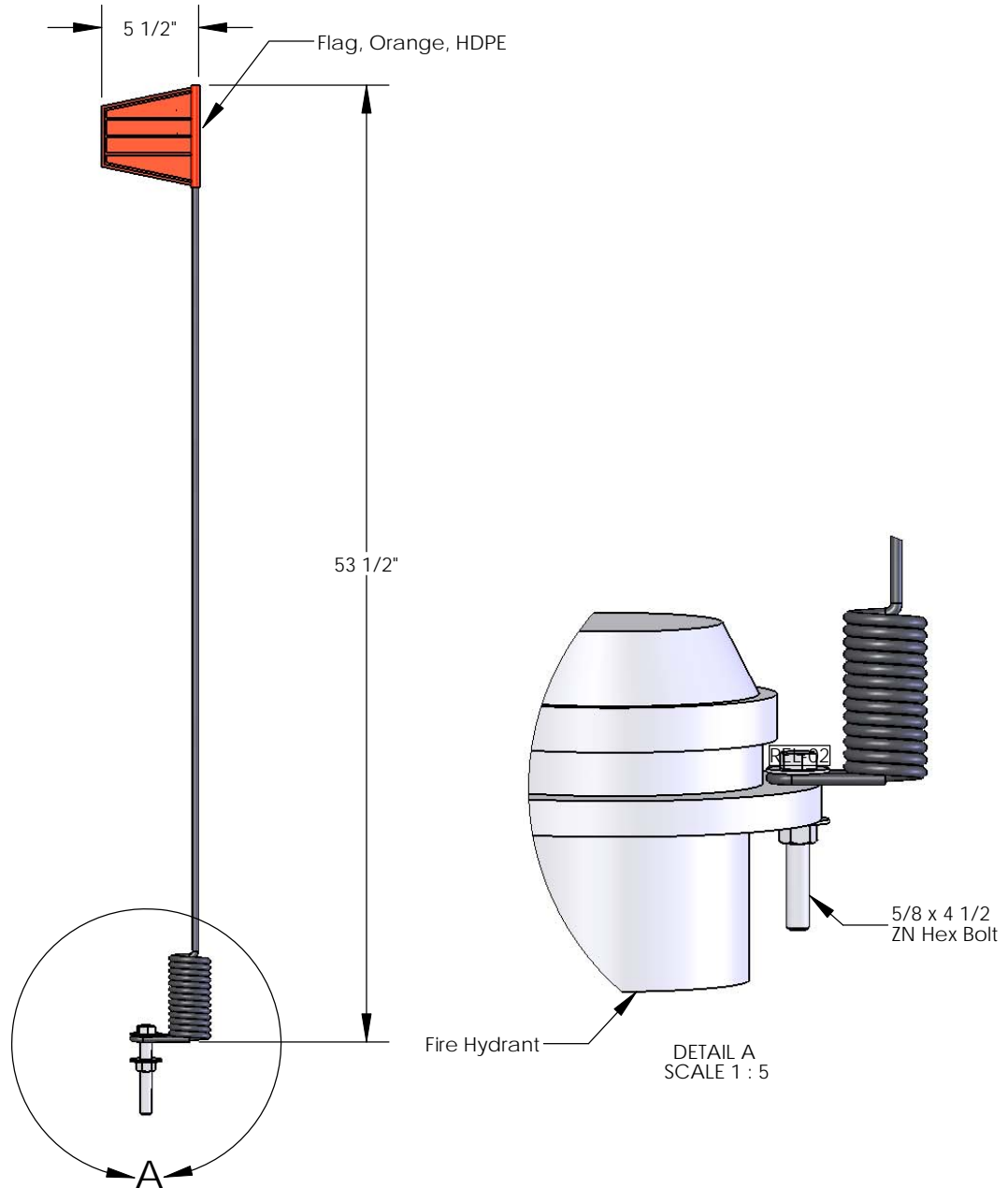


REVISIONS			
REV.	DESCRIPTION	DATE	APPROVED
REL-01		12/9/2005	
REL-02	Discontinued Clip and Strap. Added Washer	10/8/2008	M.F.K.
REL-03	Updated Flag Design	9/9/2009	R.L.J.



Dimensions are Approximate

Nordic Fiberglass, Inc.
 21415 US Hwy 75 NW, Warren, MN 56762
 www.nordicfiberglass.com
 218-745-5095 ph. --- 218-745-4990 fax

FF-1, 53 HYDRANT MARKER

SIZE	ITEM ID:	REV.
A	00200.00	REL-03
SCALE: 1:10	SHEET 1 OF 1	

Customer Name: N/A		
DIMENSIONS ARE IN INCHES		
TOLERANCES: ANGLES ± 1°		
FRACTIONAL ± 1/2		
ONE PLACE DECIMAL ± .060		
TWO PLACE DECIMAL ± .030		
THREE PLACE DECIMAL ± .015		
MATERIAL	NAME	DATE
	P.J.W.	12/09/05
DRAWN		
CHECKED		

PROPRIETARY AND CONFIDENTIAL
 THE INFORMATION CONTAINED IN THIS DRAWING IS THE SOLE PROPERTY OF NORDIC FIBERGLASS, INC. ANY REPRODUCTION IN PART OR AS A WHOLE WITHOUT THE WRITTEN PERMISSION OF NORDIC FIBERGLASS, INC. IS PROHIBITED.