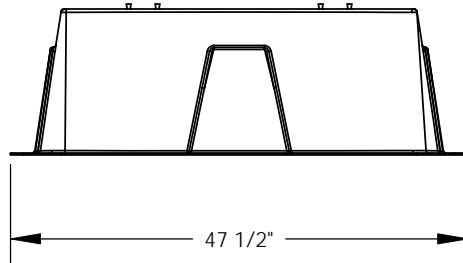
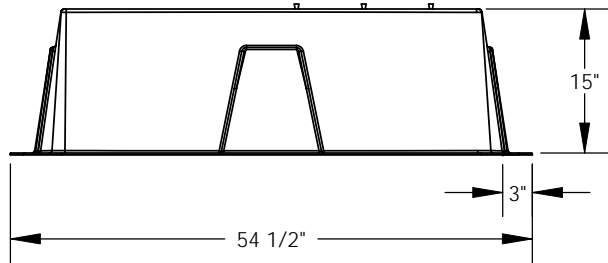
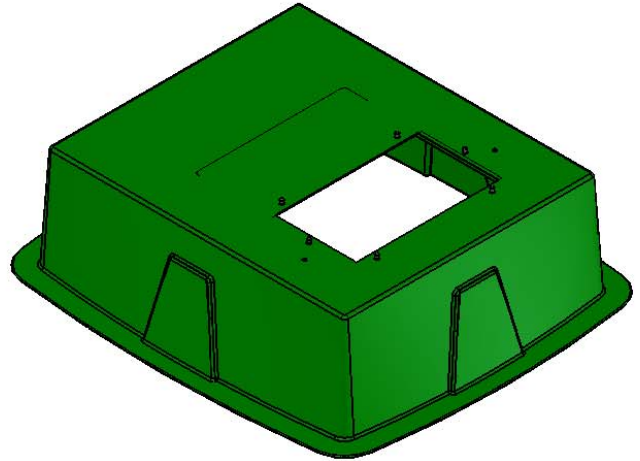
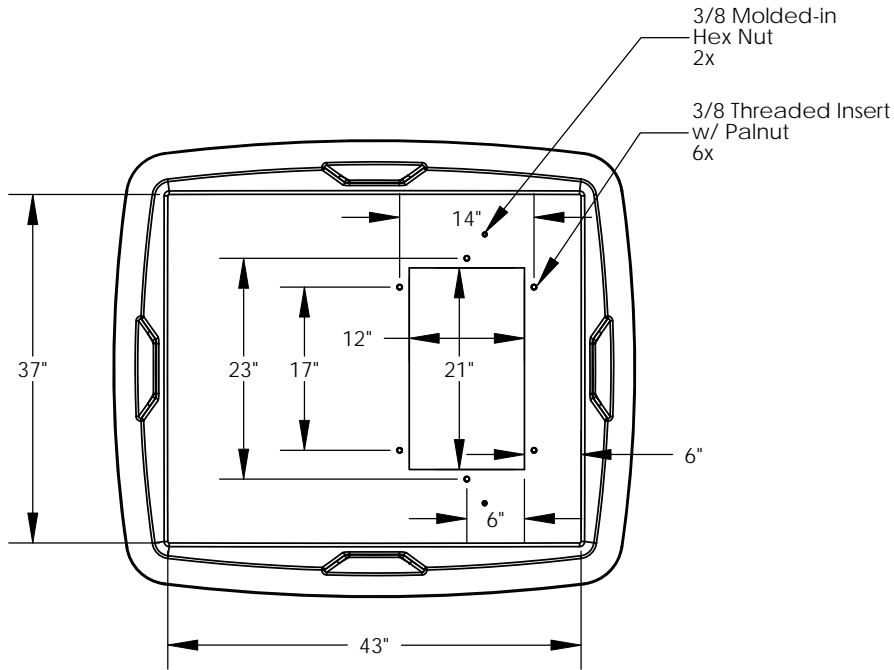


| REVISIONS |             |           |          |
|-----------|-------------|-----------|----------|
| REV.      | DESCRIPTION | DATE      | APPROVED |
| REL-01    |             | 11/8/2005 |          |



**PROPRIETARY AND CONFIDENTIAL**  
THE INFORMATION CONTAINED IN THIS DRAWING IS THE SOLE PROPERTY OF NORDIC FIBERGLASS, INC. ANY REPRODUCTION IN PART OR AS A WHOLE WITHOUT THE WRITTEN PERMISSION OF NORDIC FIBERGLASS, INC. IS PROHIBITED.

|  |        |          |
|--|--------|----------|
| Customer Name: N/A   |        |          |
| DIMENSIONS ARE IN INCHES<br>TOLERANCES: ANGLES $\pm 1^\circ$<br>FRACTIONAL $\pm 1/2$<br>ONE PLACE DECIMAL $\pm .060$<br>TWO PLACE DECIMAL $\pm .030$<br>THREE PLACE DECIMAL $\pm .015$ |        |          |
| MATERIAL   |        |          |
|  | NAME   | DATE     |
| DRAWN  | P.J.W. | 11/07/05 |
| CHECKED  | ---    | --/--    |

**Nordic Fiberglass, Inc.**

21415 US Hwy 75 NW, Warren, MN 56762  
www.nordicfiberglass.com  
218-745-5095 ph. --- 218-745-4990 fax

CBP-37-43-15C-MG-21X12

|            |              |                |
|------------|--------------|----------------|
| SIZE       | ITEM ID:     | REV.           |
| <b>A</b>   | 00160.00     | <b>REL-01+</b> |
| SCALE:1:20 | SHEET 1 OF 1 |                |