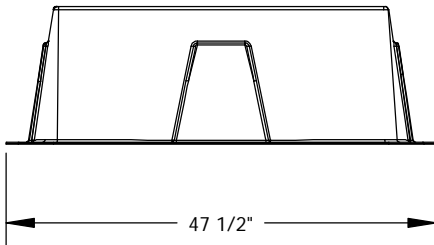
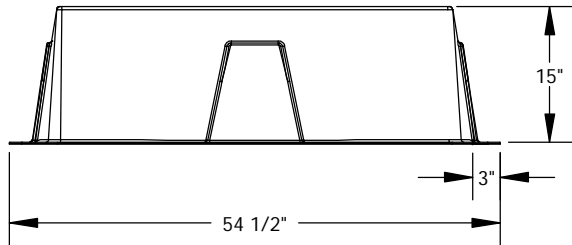
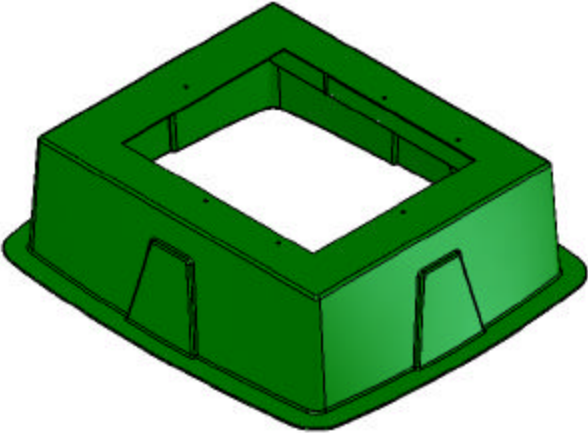
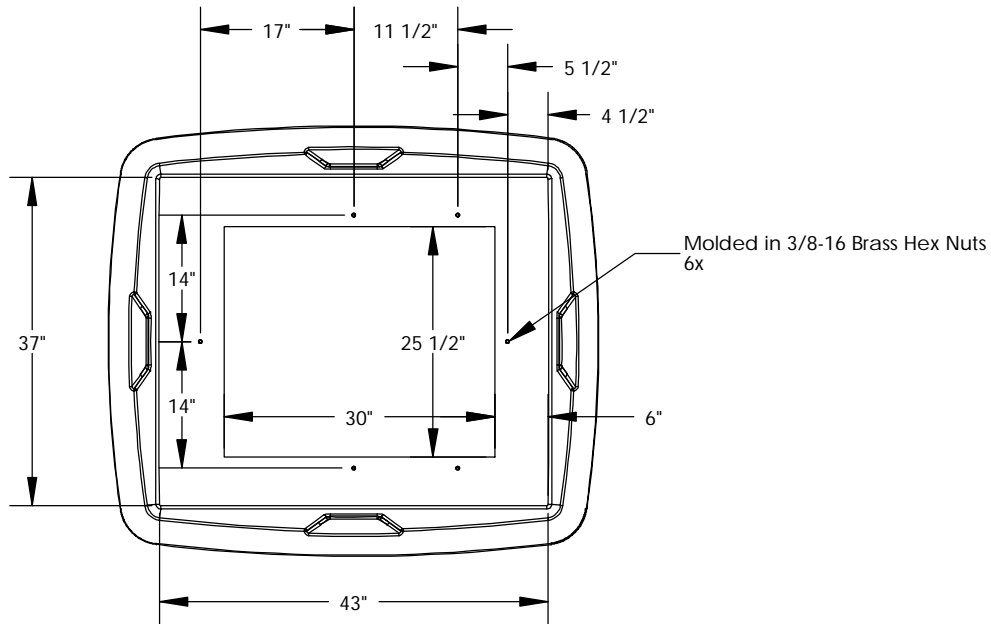


REVISIONS			
REV.	DESCRIPTION	DATE	APPROVED
REL-01		11/8/2005	



PROPRIETARY AND CONFIDENTIAL
 THE INFORMATION CONTAINED IN THIS DRAWING IS THE SOLE PROPERTY OF NORDIC FIBERGLASS, INC. ANY REPRODUCTION IN PART OR AS A WHOLE WITHOUT THE WRITTEN PERMISSION OF NORDIC FIBERGLASS, INC. IS PROHIBITED.

Nordic Fiberglass, Inc.
 21415 US Hwy 75 NW, Warren, MN 56762
 www.nordicfiberglass.com
 218-745-5095 ph. ... 218-745-4990 fax

Customer Name: N/A			MATERIAL		CBP-37-43-15F-MG-25.5X30	
DIMENSIONS ARE IN INCHES TOLERANCES: ANGLES ± 1° FRACTIONAL ± 1/2 ONE PLACE DECIMAL ± .060 TWO PLACE DECIMAL ± .030 THREE PLACE DECIMAL ± .015			NAME	DATE	SIZE	ITEM ID:
			P.J.W.	11/07/05	A	00158.00
			CHECKED	...	SCALE: 1:20	REV. REL-01+
						SHEET 1 OF 1