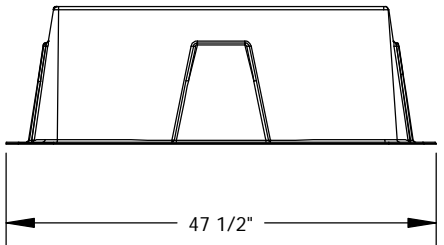
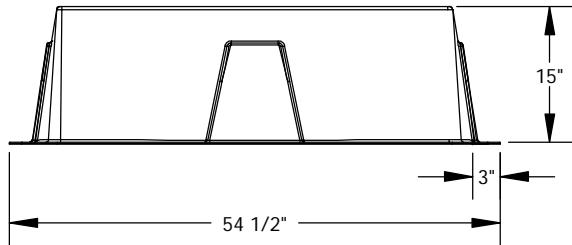
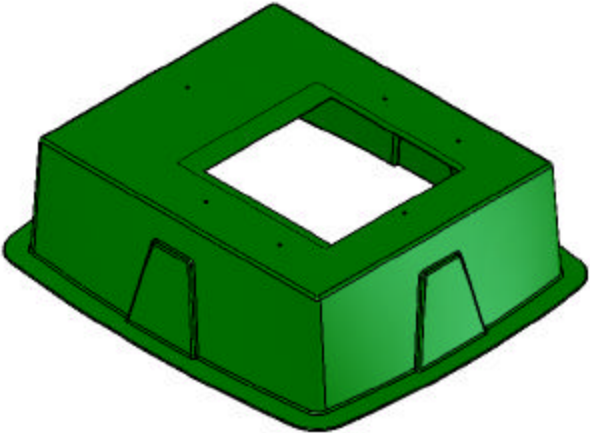
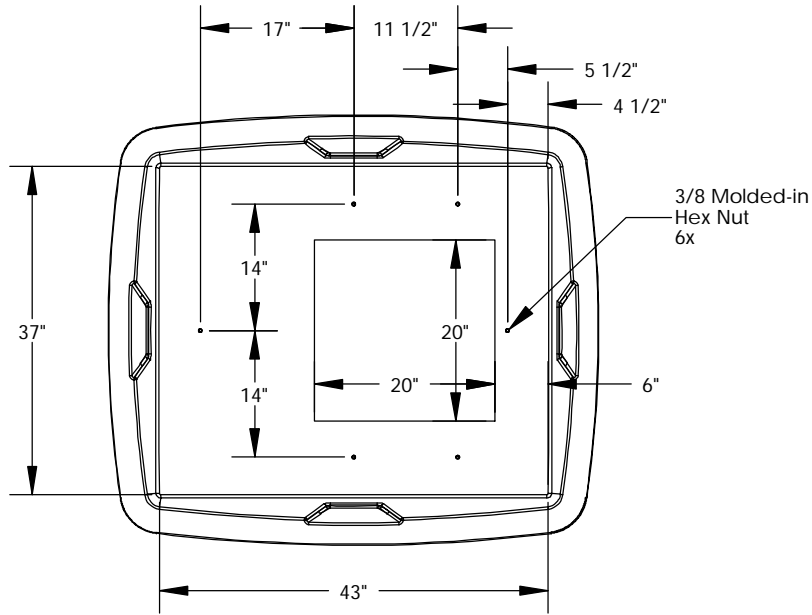


REVISIONS			
REV.	DESCRIPTION	DATE	APPROVED
REL-01		11/8/2005	



Nordic Fiberglass, Inc.

21415 US Hwy 75 NW, Warren, MN 56762
 www.nordicfiberglass.com
 218-745-5095 ph. ... 218-745-4990 fax

CBP-37-43-15B-MG-20X20

PROPRIETARY AND CONFIDENTIAL
 THE INFORMATION CONTAINED IN THIS DRAWING IS THE SOLE PROPERTY OF NORDIC FIBERGLASS, INC. ANY REPRODUCTION IN PART OR AS A WHOLE WITHOUT THE WRITTEN PERMISSION OF NORDIC FIBERGLASS, INC. IS PROHIBITED.

Customer Name: N/A		MATERIAL		SIZE		ITEM ID:		REV.	
DIMENSIONS ARE IN INCHES				A		00157.00		REL-01+	
TOLERANCES: ANGLES ± 1°				DRAWN		P.J.W.		11/07/05	
FRACTIONAL ± 1/2				CHECKED		
ONE PLACE DECIMAL ± .060				SCALE: 1:20				SHEET 1 OF 1	
TWO PLACE DECIMAL ± .030									
THREE PLACE DECIMAL ± .015									